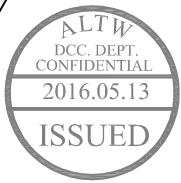
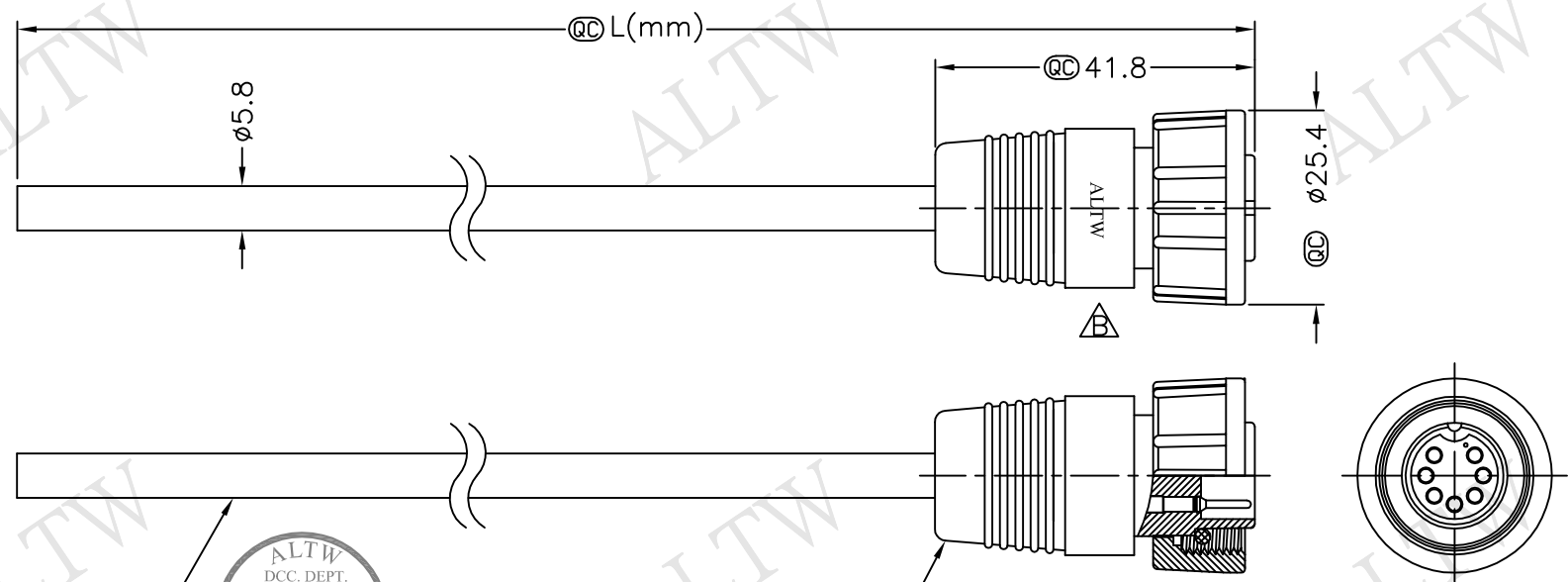


REV.	ECN NO.	DATE	SIGN	DESCRIPTION
B	LEN1650204~207	2016/05/05	Ruru	Change Logo & Note

THIS DOCUMENT IS SUBJECT TO CHANGE WITHOUT NOTICE. IT IS CONFIDENTIAL AND A PROPERTY OF Amphenol LTW. DISCLOSURE TO THIRD PARTY HAS TO BE AUTHORIZED BY Amphenol LTW.



Cable ②

CD-07BFMM-SL6000 ①
Color: Black

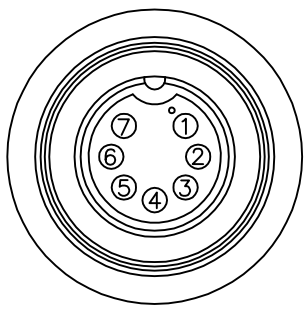
CD-07BFMM-SL6AXX

XX: 01~99Meter
 01: 01Meter
 02: 02Meters
 :
 :
 99: 99Meters

Cable Length(L): 01~99Meters

Note:

- * @C Important Dimension To Check.
- * Waterproof Rate: IP66
- * Housing: Nylon+GF, Black
- * Male Pin: Copper Alloy, Gold Plated
- * Cable: UL2464 24AWG*7C+D+A
(UV Resistant) OD=5.8
- △ * Cable Length Tolerance: 01M: ±40mm
 02M~05M: ±60mm
 06M~10M: ±100mm
 11M~30M: ±200mm
 31M~99M: ±500mm



Pin Assignments
Front View

7	White
6	Green
5	Brown
4	Red
3	Yellow
2	Orange
1	Blue
Conn.	Wire Color
	Pin Out

UNIT:mm 	TITLE Middle, Cable Screw 7Pin F Conn M Pin		Amphenol LTW 安費諾亮泰企業股份有限公司	ITEM NO	DRAWN BY Ruru	DATE 2016/05/05
	TOLERANCE ±0.5 mm			SCALE Free	SHEET 1 OF 1	DWG NO CD-07BFMM-SL6AXX
REV. B	SIZE A4	@C : Inspection Item		CUSTOMER ALTW	APPROVED BY Lisa	DATE 2016/05/05