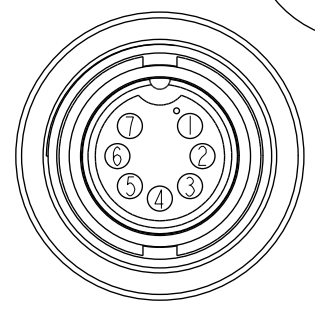
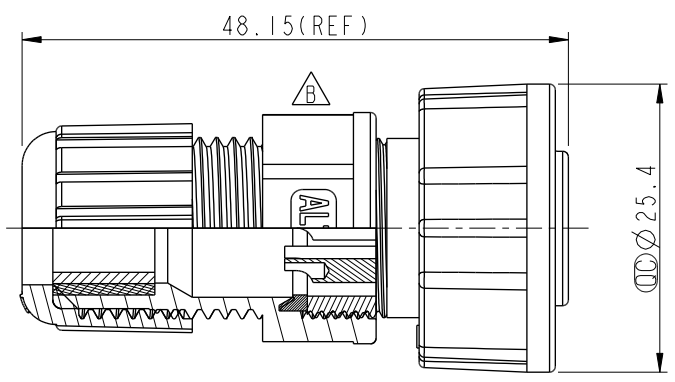
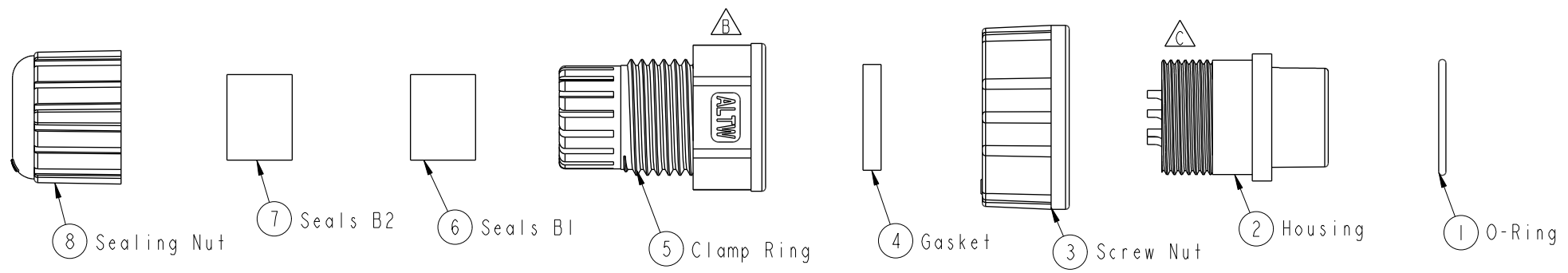


THIS DOCUMENT IS SUBJECT TO CHANGE WITHOUT NOTICE. IT IS CONFIDENTIAL AND A PROPERTY OF AMPHENOL LTW. DISCLOSURE TO THIRD PARTY HAS TO BE AUTHORIZED BY AMPHENOL LTW.

| REV. | ECN NO.    | DATE       | SIGN | DESCRIPTION      |
|------|------------|------------|------|------------------|
| B    | LEN1741185 | 2017/04/11 | Ruru | Change Logo      |
| C    | C200939    | 2020/06/12 | Ruru | $\triangle C$ X3 |



Pin Assignments  
Front View 前視圖

**ALTW**  
 CONFIDENTIAL  
 2020-06-12  
 R&D DEPT.

- $\triangle C$  Note:
- \*  $\text{\textcircled{C}}$  Important Dimension
  - \* Waterproof Rate: IP67
  - \* Housing: Thermoplastic, Black
  - \* Pin: Copper Alloy, Gold Plated
  - \* Screw Nut: Thermoplastic, Black
  - \* Gasket : Rubber, Black
  - \* O-Ring: Rubber, Black
  - \* Seals : Rubber, Black
  - \* Clamp Ring: Thermoplastic, Black
  - \* Sealing Nut: Thermoplastic, Black
  - \* Seals B1 for Cable OD:  $\varnothing 7.6\text{mm} \sim \varnothing 9.6\text{mm}$
  - \* Seals B2 for Cable OD:  $\varnothing 4.0\text{mm} \sim \varnothing 7.6\text{mm}$
  - \* One Set Unassembled in One PE Bag

|           |               |  |
|-----------|---------------|--|
| UNIT: mm  |               |  |
| TOLERANCE |               |  |
| .X        | $\pm 0.25$    |  |
| .XX       | $\pm 0.1$     |  |
| .XXX      | $\pm 0.05$    |  |
| ANGLES    | $\pm 1^\circ$ |  |

|   |         |  |    |
|---|---------|--|----|
| TITLE<br>O CERES, C-5A, 07P, CABLE W/O SR<br>F, M, FI SOLDER, SCREW $\triangle C$ |         |  |    |
| SCALE   | SIZE    | SHEET                                      | OF |
| 1:1   | A4      | 1  | 1  |
| REV.  | WC-REV. | $\text{\textcircled{C}}$ : Inspection item |    |
| C   | A.3     |  |    |

**Amphenol LTW**  
 安費諾亮泰企業股份有限公司

|          |                  |             |      |      |            |
|----------|------------------|-------------|------|------|------------|
| ITEM NO. | CD-07BFMA-SL7001 | DRAWN BY    | Ruru | DATE | 2017-04-11 |
| DWG NO.  | CD-07BFMA-SL7001 | CHECKED BY  | Rita | DATE | 2017-04-11 |
| CUSTOMER | ALTW             | APPROVED BY | Max  | DATE | 2017-04-11 |