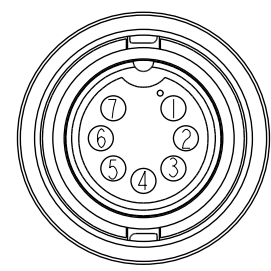
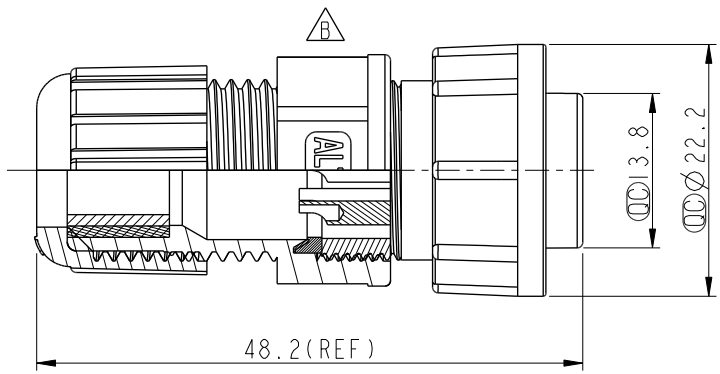
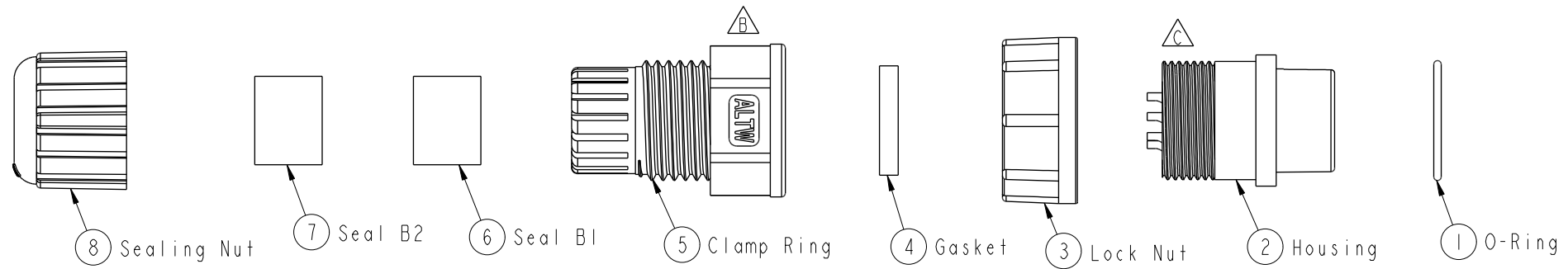


THIS DOCUMENT IS SUBJECT TO CHANGE WITHOUT NOTICE. IT IS CONFIDENTIAL AND A PROPERTY OF AMPHENOL LTW. DISCLOSURE TO THIRD PARTY HAS TO BE AUTHORIZED BY AMPHENOL LTW.

REV.	ECN NO.	DATE	SIGN	DESCRIPTION
B	LEN1741314	2017/04/24	Ruru	Change Logo
C	C200939	2020/06/12	Ruru	$\triangle C$ X3



Pin Assignments  
Front View 前視圖

- $\triangle C$   $\triangle B$  Note:
- \*  $\text{CC}$  Important Dimension To Check.
  - \* Waterproof Rate: IP67
  - \* Housing: Thermoplastic, Black
  - \* Male Pin: Copper Alloy, Gold Plated
  - \* O-Ring: Rubber, Black
  - \* Lock Nut: Thermoplastic, Black
  - \* Gasket: Rubber, Black
  - \* Seals: Rubber, Black
  - \* Clamp Ring: Thermoplastic, Black
  - \* Sealing Nut: Thermoplastic, Black
  - \* Seals B2 for Cable OD:  $\varnothing 4.0\text{mm} \sim \varnothing 7.6\text{mm}$
  - \* Seals B1 for Cable OD:  $\varnothing 7.6\text{mm} \sim \varnothing 9.6\text{mm}$
  - \* One Set Unassembled In One PE Bag

UNIT: mm

TOLERANCE	
.X	$\pm 0.25$
.XX	$\pm 0.1$
.XXX	$\pm 0.05$
ANGLES	$\pm 1^\circ$

TITLE O CERES, C-5A, 07P, CABLE W/O SR F, M, FI SOLDER, 2LOCK $\triangle C$			
SCALE	SIZE	SHEET	OF
1:1	A4	1	1
REV.	WC-REV.	$\text{CC}$ : Inspection item	
C	A.3		

**Amphenol LTW**  
安費諾亮泰企業股份有限公司

ITEM NO	CD-07BFMA-LL7001	DRAWN BY	Ruru	DATE	2017/04/24
DWG NO	CD-07BFMA-LL7001	CHECKED BY	Rita	DATE	2017/04/24
CUSTOMER	ALTW	APPROVED BY	Max	DATE	2017/04/24