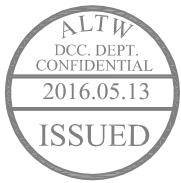
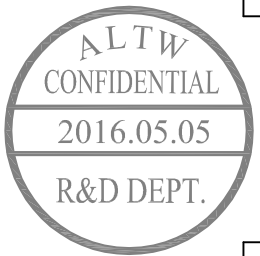
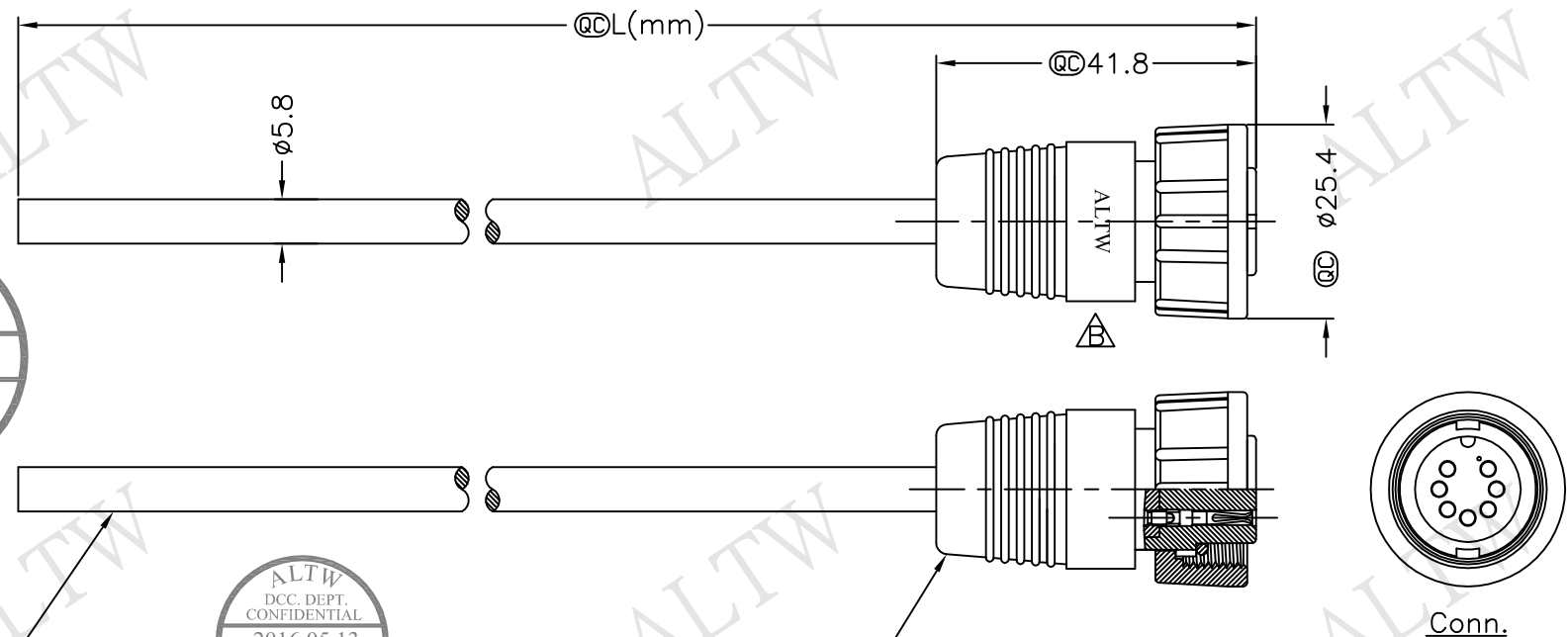


REV.	ECN NO.	DATE	SIGN	DESCRIPTION
B	LEN1650196~199	2016/05/05	Ruru	Change Logo & Note



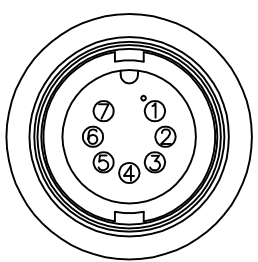
Cable ②

CD-07BFFM-SL6000 ①  
Color: Black

CD-07BFFM-SL6AXX  
 ↑  
 XX:01~99Meter  
 01:01Meter  
 02:02Meters  
 ∴  
 99:99Meters  
 Cable Length(L):01~99Meters

Note:

- \* @C Important Dimension To Check.
- \* Waterproof Rate: IP66
- \* Housing: Nylon+GF,Black
- \* Female Pin: Copper Alloy,Gold Plated
- \* Cable: UL2464 24AWG\*7C+Drain+Al/My, Black,PVC Jacket UV Resistant, OD=5.8
- △\* Cable Length Tolerance: 01M: ±40mm  
 02M~05M: ±60mm  
 06M~10M: ±100mm  
 11M~30M: ±200mm  
 31M~99M: ±500mm



Pin Assignments  
Front View

7	White
6	Green
5	Brown
4	Red
3	Yellow
2	Orange
1	Blue
Conn.	Wire Color
	Pin Out

UNIT:mm		TITLE Middle, Cable Screw 7Pin F Conn. F Pin
TOLERANCE ±0.5 mm	SCALE Free	SHEET 1 OF 1
REV. B	SIZE A4	@C :Inspection Item

**Amphenol LTW**  
安費諾亮泰企業股份有限公司

ITEM NO	DRAWN BY Ruru	DATE 2016/05/05
DWG NO CD-07BFFM-SL6AXX	CHECKED BY Rita	DATE 2016/05/05
CUSTOMER ALTW	APPROVED BY Lisa	DATE 2016/05/05

THIS DOCUMENT IS SUBJECT TO CHANGE WITHOUT NOTICE. IT IS CONFIDENTIAL AND A PROPERTY OF Amphenol LTW. DISCLOSURE TO THIRD PARTY HAS TO BE AUTHORIZED BY Amphenol LTW.