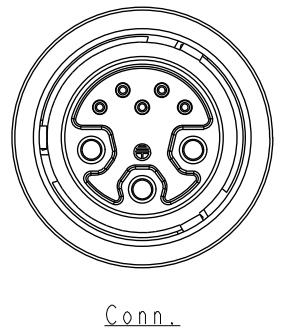
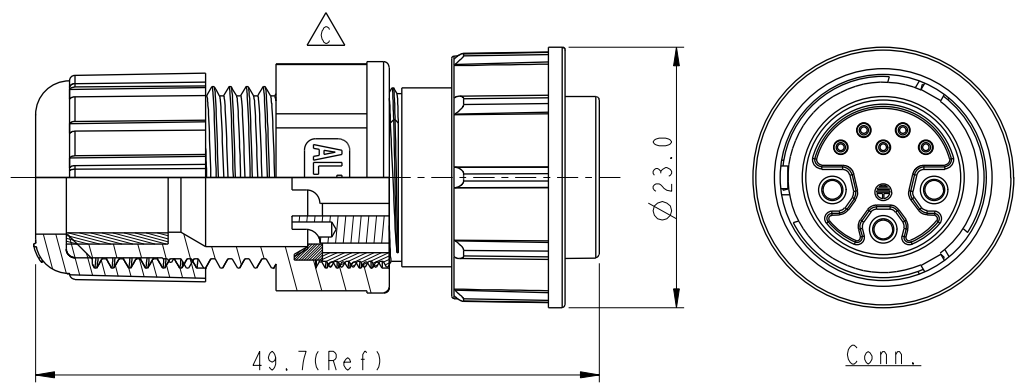
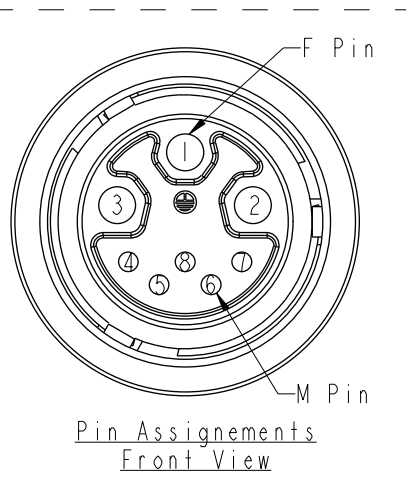
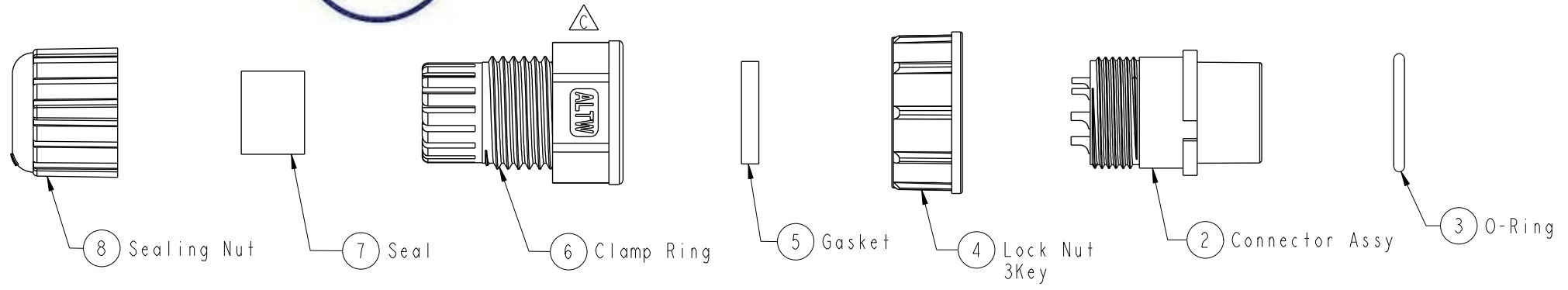


THIS DOCUMENT IS SUBJECT TO CHANGE WITHOUT NOTICE. IT IS CONFIDENTIAL AND A PROPERTY OF Amphenol LTW. DISCLOSURE TO THIRD PARTY HAS TO BE AUTHORIZED BY Amphenol LTW.

| REV. | ECN NO. | DATE | SIGN | DESCRIPTION |
|------|-----------------|------------|------------|---------------------|
| A | Initial Release | 2011/07/26 | Kevin Wang | |
| B | LEN1350051 | 2013/04/24 | Ruru | Modify Cable OD Max |
| C | LEN1741310 | 2017/04/20 | Ruru | Change Logo |



- Note:
- * \varnothing Important Dimension.
 - * Waterproof Rate: IP67
 - * Connector: Nylon+GF, Black
 - * Pin: Copper Alloy, Glod Plated
 - * O-Ring: EPDM, Black
 - * Lock Nut: Nylon+GF, Black
 - * Gasket: Silicone, Black
 - * Clamp Ring: Nylon, Black
 - * Seal: EPDM, Black
 - * Seading Nut: Nylon, Black
 - * $\triangle B$ Cable OD Max : $\varnothing 7.6 \sim \varnothing 9.6$ mm

| | | | | | | | | |
|--|---|----------------|---------------------------------|--------------------------------------|--------------------|------------------------------|--------------------|--------------------|
| UNIT:mm TOLERANCE .X ±0.25 .XX ±0.1 .XXX ±0.05 ANGLES ±1° | TITLE HyBrid Assy., Middle, 3Key 3FPin(10A)+5MPin(2A) | | | Amphenol LTW 安費諾亮泰企業股份有限公司 | | ITEM NO CBU-08BFDA-TL7001 | DRAWN BY Ruru | DATE 2017-04-20 |
| | SCALE 1:1 | SIZE A4 | SHEET 1 OF 1 | | | DWG NO CBU-08BFDA-TL7001 | CHECKED BY Rita | DATE 2017-04-20 |
| | REV. C | WC-REV. B.2 | \varnothing : Inspection item | CUSTOMER ALTW | APPROVED BY Max | DATE 2017-04-20 | | |
| | | | | | | 6 | 7 | 8 |