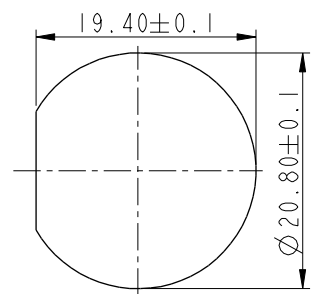
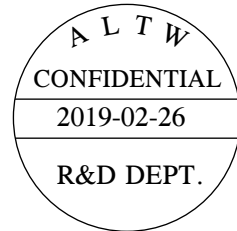
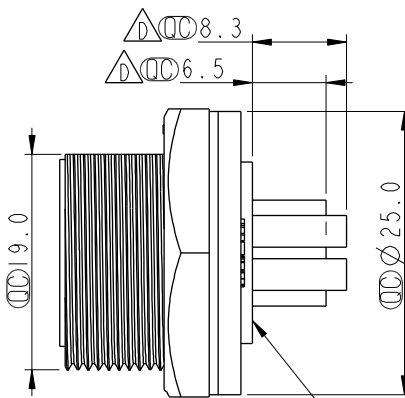
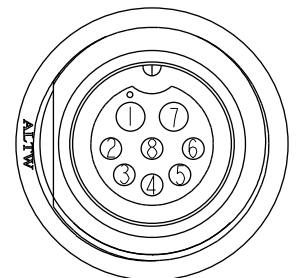
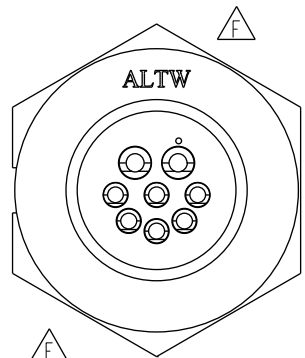
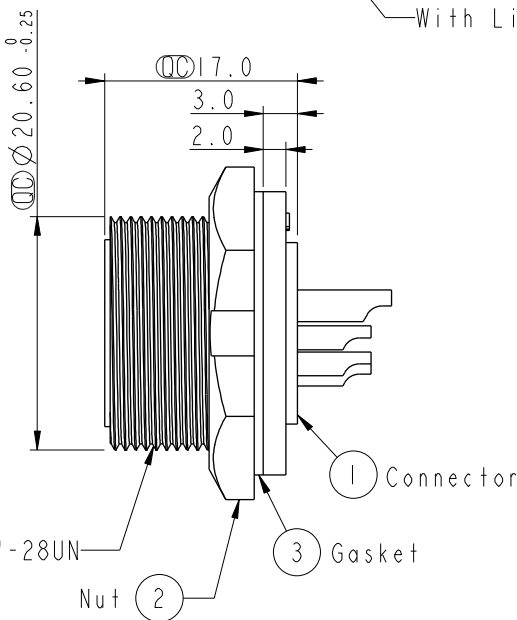
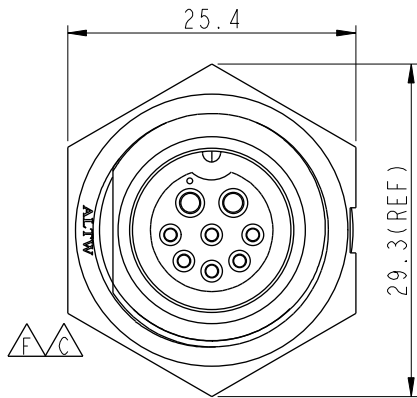


THIS DOCUMENT IS SUBJECT TO CHANGE WITHOUT NOTICE. IT IS CONFIDENTIAL AND A PROPERTY OF Amphenol LTW. DISCLOSURE TO THIRD PARTY HAS TO BE AUTHORIZED BY Amphenol LTW.

REV.	ECN NO.	DATE	SIGN	DESCRIPTION
E	LEN-030235	2010/03/25	Li Xiu Zhi	Delete PIN 位印字
F	LEN1630515	2016/03/17	Ruru	Change Logo
G	CI90271	2019/02/26	Ruru	Modify Note



Recommended Panel Cut-Out



Pin Assignments Front View

- Note: $\triangle G$
- * \odot Important Dimension.
 - * Waterproof Rate: IP67, Unmated
 - $\triangle D$ * Housing: Thermoplastic, Black
 - * Pin 1: Copper Alloy, Gold Plated(10A)
 - * Pin 2: Copper Alloy, Gold Plated(5A)
 - * Nut: Thermoplastic, Black
 - * Gasket: Rubber, Black
 - $\triangle B$ * Use with waterproof cap or dust cap
Maximum Panel Thickness: 2.0mm
 - $\triangle B$ * Use without waterproof cap or dust cap
Maximum Panel Thickness: 3.0mm
 - * Gasket and Nut are packed separately in PE bags.

UNIT: mm TOLERANCE .X ±0.25 .XX ±0.1 .XXX ±0.05 ANGLES ±1°	TITLE Middle, Panel Screw 8Pin M Conn F Pin			Amphenol LTW 安費諾亮泰企業股份有限公司		ITEM NO. CBD-08PMFS-SC7001	DRAWN BY Ruru	DATE 2019-02-26
	SCALE 1:1	SIZE A4	SHEET 1 OF 1			DWG NO. CBD-08PMFS-SC7001	CHECKED BY Rita	DATE 2019-02-26
	REV. G	WC-REV. A.3	\odot : Inspection item	CUSTOMER ALTW	APPROVED BY Max	DATE 2019-02-26		