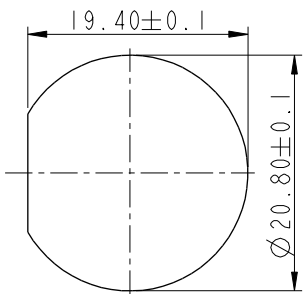
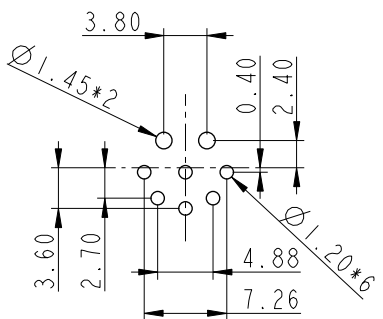


THIS DOCUMENT IS SUBJECT TO CHANGE WITHOUT NOTICE. IT IS CONFIDENTIAL AND A PROPERTY OF Amphenol LTW. DISCLOSURE TO THIRD PARTY HAS TO BE AUTHORIZED BY Amphenol LTW.

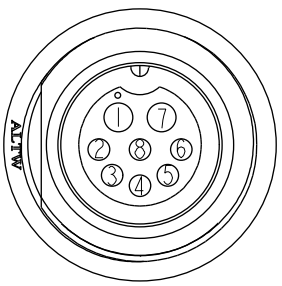
REV.	ECN NO.	DATE	SIGN	DESCRIPTION
D	LEN1120492	2010/03/25	Li Xiu Zhi	Delete PIN 印字
E	LEN1630514	2016/03/17	Ruru	Change Logo
F	CI90271	2019/02/26	Ruru	Modify Note



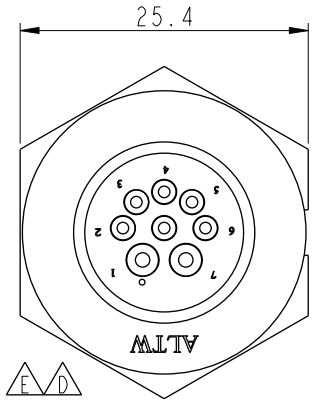
Recommended Panel Cut-Out



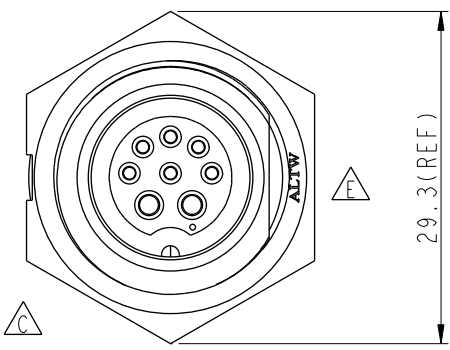
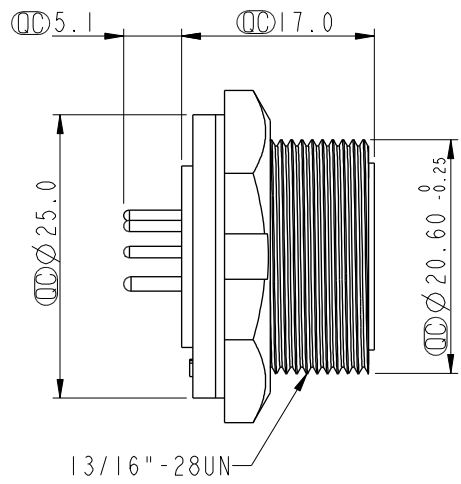
8Pin Male Connector Female Pin PCB Layout



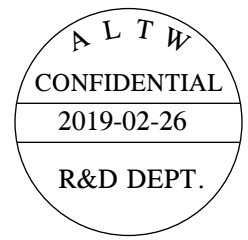
Pin Assignments Front View



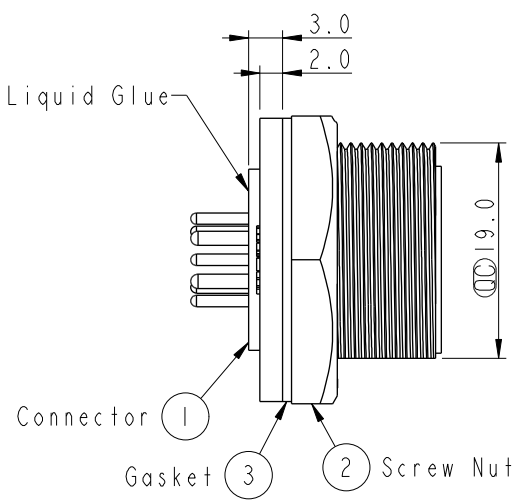
△△



△



With Liquid Glue



Note: △

- * Ⓞ Important Dimension.
- * Waterproof Rate: IP67, Unmated
- * Housing: Thermoplastic, Black
- * Pin: Copper Alloy, Gold Plated
- * Nut: Thermoplastic, Black
- * Gasket: Rubber, Black
- △ * Use with waterproof cap or dust cap
Maximum Panel Thickness: 2.0mm
- △ * Use without waterproof cap or dust cap
Maximum Panel Thickness: 3.0mm
- * Gasket and Nut are packed separately in PE bags.

UNIT:mm		
TOLERANCE	.X ±0.25	
	.XX ±0.1	
	.XXX ±0.05	
ANGLES	±1°	

TITLE Middle, Panel Lock 8Pin M Conn F Pin			
SCALE 1:1	SIZE A4	SHEET 1 OF 1	
REV. F	WC-REV. A.3	Ⓞ: Inspection item	

Amphenol LTW
安費諾亮泰企業股份有限公司

ITEM NO. CBD-08PMFP-SC7001	DRAWN BY Ruru	DATE 2019-02-26
DWG NO. CBD-08PMFP-SC7001	CHECKED BY Rita	DATE 2019-02-26
CUSTOMER ALTW	APPROVED BY Max	DATE 2019-02-26