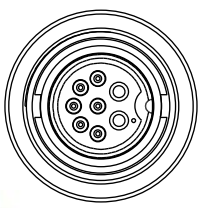
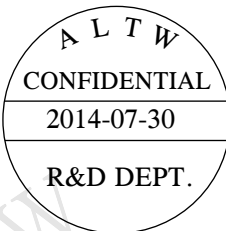
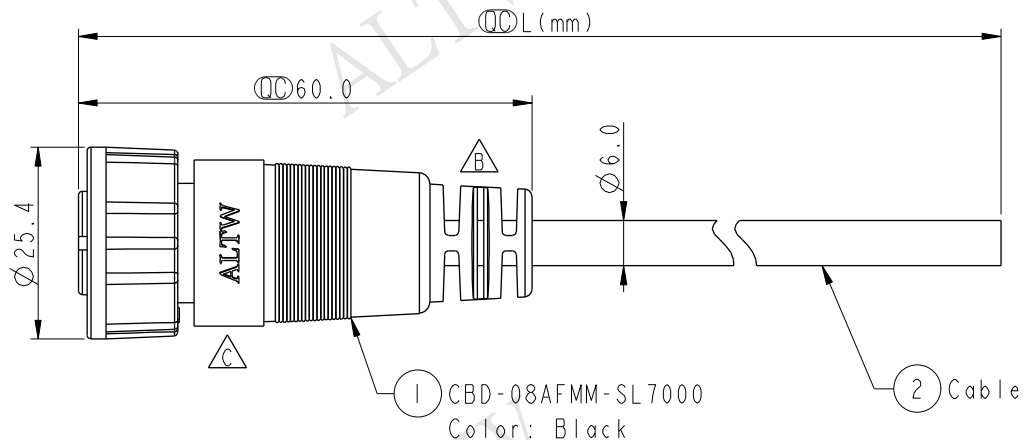
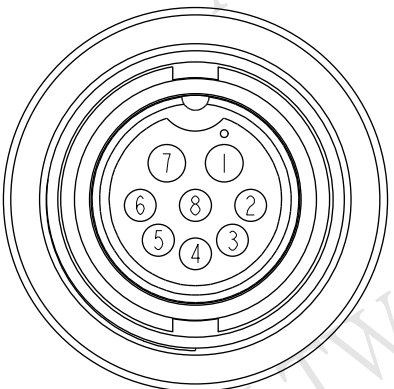


THIS DOCUMENT IS SUBJECT TO CHANGE WITHOUT NOTICE. IT IS CONFIDENTIAL AND A PROPERTY OF AMPHENOL LTW. DISCLOSURE TO THIRD PARTY HAS TO BE AUTHORIZED BY AMPHENOL LTW.

REV.	ECN NO.	DATE	SIGN	DESCRIPTION
B	LEN-9A0006~009	2009/04/18	Li Xiu Zhi	Change SR View & Update Note
C	LEN1480106~109	2014/07/30	Vicky	Update Logo



Conn.



Pin Assignments
Front View

8	Purple	24AWG	紫
7	Blue	20AWG	藍
6	Yellow	24AWG	黃
5	Orange	24AWG	橘
4	Red	24AWG	紅
3	Brown	24AWG	棕
2	Black	24AWG	黑
1	Green	20AWG	綠
Conn.	Wire Color		
Pin Out			

CBD-08AFMM-SL7AXX

- XX : 01~99Meters
- 01 : 01Meter
- 02 : 02Meters
- ...
- 99 : 99Meters

Cable Length(L): 01~99Meters

- Note:**
- * \varnothing Important Dimension To Check
 - * Waterproof Rate: IP67
 - * Housing: Nylon+GF, Black
 - * Male Pin: Copper Alloy, Gold Plated
 - * Screw Nut: Nylon+GF, Black
 - * O-Ring: EPDM, Black
 - * Cable: UL2464 (20AWG*2C+24AWG*6C)+Drain+Al/My, Black,PVC Jacket,UV Resistant,OD=6.0
 - * Cable Length Tolerance:
 - 01M~05M: ±60mm
 - 06M~10M: ±100mm
 - 11M~30M: ±200mm
 - 31M~99M: ±500mm

UNIT:mm		TITLE	Middle Cable Screw 8Pin F Conn M Pin		ITEM NO	DRAWN BY	DATE
TOLERANCE	±0.5 mm	SCALE	1:1	SIZE A4	DWG NO	CHECKED BY	DATE
		REV.	C	WC-REV.	A.1	APPROVED BY	DATE
					①: Inspection item	Rita	2014-07-30
				Amphenol LTW 安費諾亮泰企業股份有限公司		CUSTOMER	DATE
				ALTW		Sam	2014-07-30
				Vicky		Rita	2014-07-30