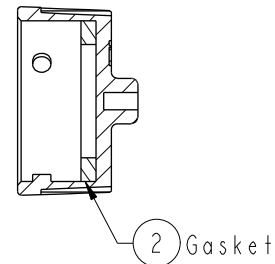
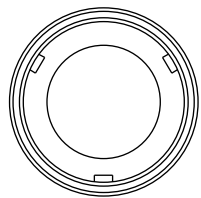
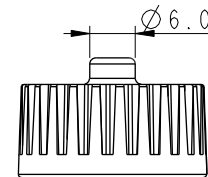
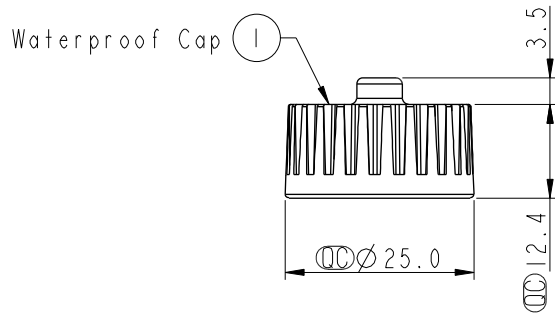
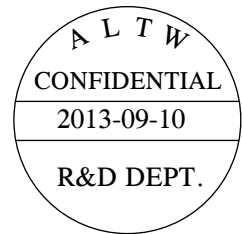
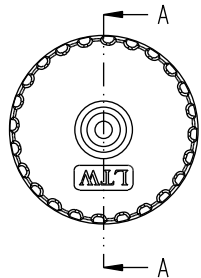


REV.	ECN NO.	DATE	SIGN	DESCRIPTION
A	Initial Release	2013/09/10	Vicky	Old Item No. CAP-WEBMMLAI



SECTION A-A

- Note:
- * \varnothing Important Dimension.
 - * Waterproof Rate: IP67
 - * Cap: PBT+PC, Black
 - * Gasket: Silicone, Black

UNIT: mm		
TOLERANCE		
.X	±0.25	
.XX	±0.1	
.XXX	±0.05	
ANGLES	±1°	

TITLE Waterproof Cap Mix Size GBD Male Conn, 3 Point Lock			
SCALE	SIZE	SHEET OF	
1:1	A4	1 OF 1	
REV.	WC-REV.	\varnothing : Inspection item	
A	A.2		

Amphenol LTW
安費諾亮泰企業股份有限公司

ITEM NO. CAP-WEBMTMAI	DRAWN BY Vicky	DATE 2013-09-10
DWG NO. CAP-WEBMTMAI	CHECKED BY Sam	DATE 2013-09-10
CUSTOMER ALTW	APPROVED BY Rita	DATE 2013-09-10

THIS DOCUMENT IS SUBJECT TO CHANGE WITHOUT NOTICE. IT IS CONFIDENTIAL AND A PROPERTY OF AMPHENOL LTW. DISCLOSURE TO THIRD PARTY HAS TO BE AUTHORIZED BY AMPHENOL LTW.