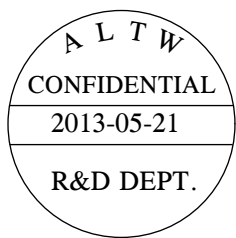
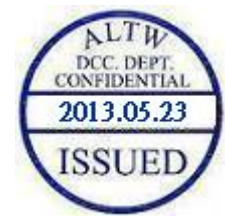
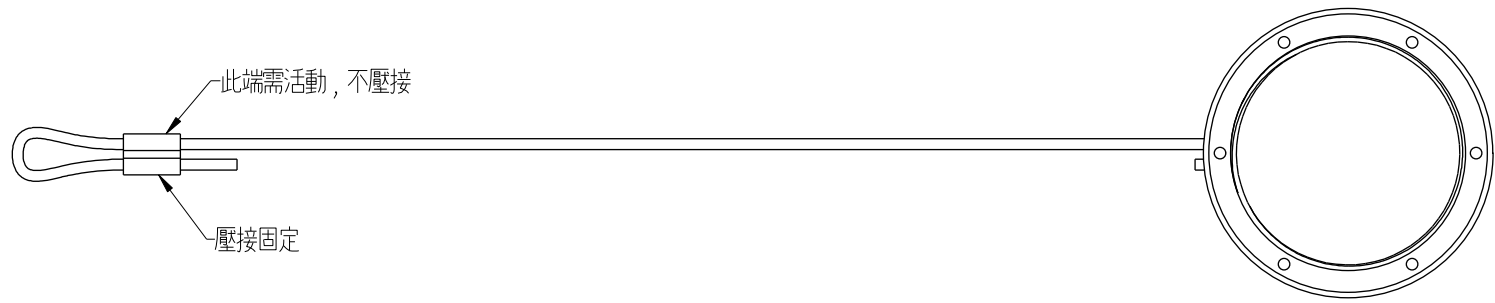
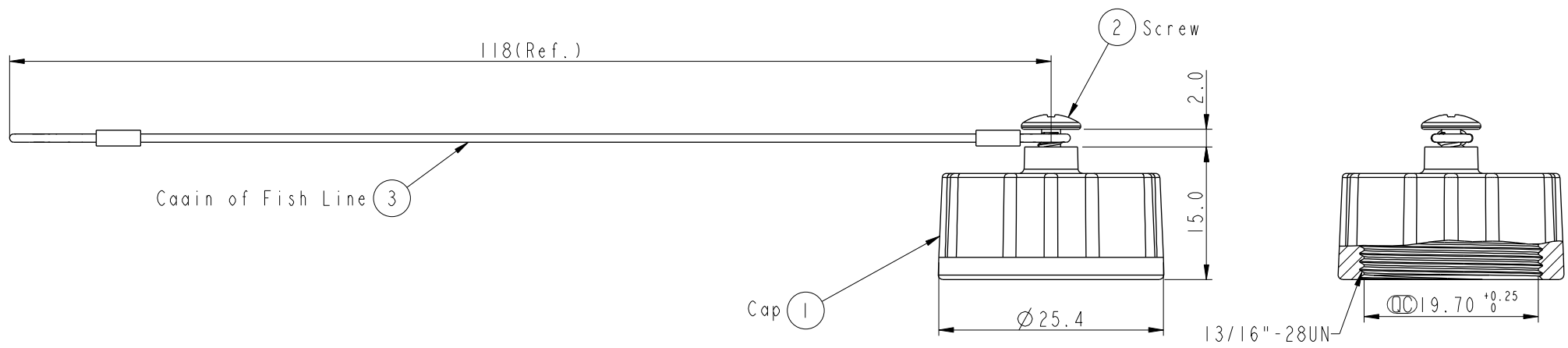


THIS DOCUMENT IS SUBJECT TO CHANGE WITHOUT NOTICE. IT IS CONFIDENTIAL AND A PROPERTY OF Amphenol LTW. DISCLOSURE TO THIRD PARTY HAS TO BE AUTHORIZED BY Amphenol LTW.

1	2	3	4	5	6	7	8
REV.	ECN NO.	DATE	SIGN	DESCRIPTION			



Note:  
 \*  $\varnothing$  Important Dimension To Check.  
 \* Waterproof Rate: IP67.  
 \* Cap: Nylon+GF, Black.  
 \* Gasket: EPDM, Black.  
 \* Fish Line: Nylon  
 Part of Fish Line: Stainless

UNIT: mm TOLERANCE .X ±0.25 .XX ±0.1 .XXX ±0.05 ANGLES ±1°		TITLE		<b>Amphenol LTW</b> 安費諾亮泰企業股份有限公司	ITEM NO	DRAWN BY	DATE
		Waterproof Cap For Male Conn. C Size Screw Type			CAP-WACMSPDI	Vicky	2013-05-21
		SCALE	SIZE		SHEET	OF	DWG NO
3:2	A4	1	1	CAP-WACMSPDI	Sam Chang	2013-05-21	
REV.	WC-REV.	QC: Inspection item		CUSTOMER	APPROVED BY	DATE	
A	A.1			ALTW	Maslow	2013-05-21	