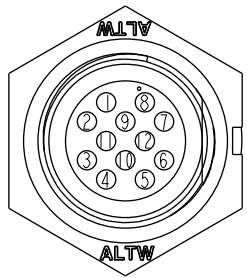
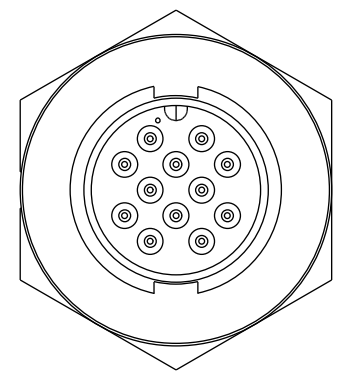
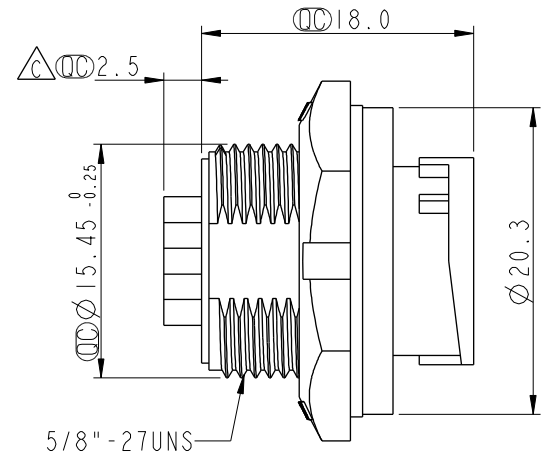
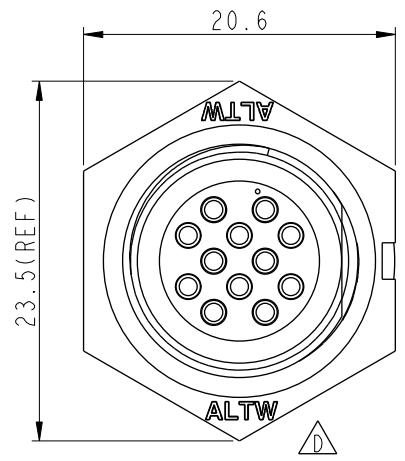


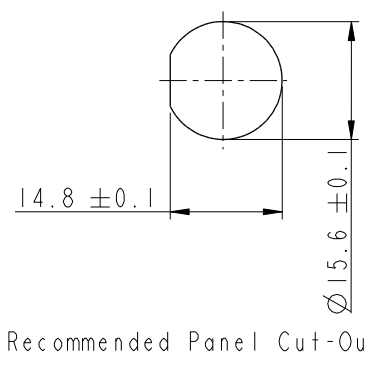
THIS DOCUMENT IS SUBJECT TO CHANGE WITHOUT NOTICE. IT IS CONFIDENTIAL AND A PROPERTY OF AMPHENOL LTW. DISCLOSURE TO THIRD PARTY HAS TO BE AUTHORIZED BY AMPHENOL LTW.

REV.	ECN NO.	DATE	SIGN	DESCRIPTION
C	LEN-940063	2009/03/17	LiuShuYun	Change 2.50 to 2.5
D	LEN1530171	2014/12/18	Ruru	Change Logo
E	CI90269	2019/02/26	Ruru	Modify Note

ALTW
CONFIDENTIAL
 2019-02-26
R&D DEPT.

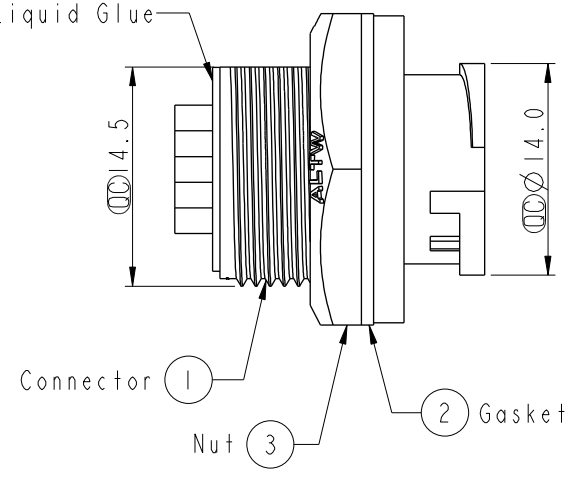


Pin Assignments
Front View



Recommended Panel Cut-Out

With Liquid Glue



Note: $\triangle E$

- * \odot Important Dimension To Check.
- * Waterproof Rate: IP67, Unmated
- * Housing: Thermoplastic, Black
- * Pin: Copper Alloy, Gold Plated
- * Nut: Thermoplastic, Black
- * Gasket: Rubber, Black
- $\triangle B$ * Use with waterproof cap or dust cap
Panel Thickness Max: 4.0mm
- $\triangle B$ * Use without waterproof cap or dust cap
Panel Thickness Max: 5.0mm
- * Gasket and Nut are packed separately in PE bags.

UNIT: mm		TITLE Standard, Rear Lock 12P M Conn M Pin			ITEM NO BU-12RMMS-LC7001		DRAWN BY Ruru		DATE 2019-02-26			
		SCALE 1:1			SIZE A4		DWG NO BU-12RMMS-LC7001		CHECKED BY Rita		DATE 2019-02-26	
TOLERANCE		REV. E			WC-REV. A.3		CUSTOMER ALTW		APPROVED BY Max		DATE 2019-02-26	
.X ±0.25		SHEET 1			OF 1							
.XX ±0.1		\odot : Inspection item			Amphenol LTW 安費諾亮泰企業股份有限公司							
.XXX ±0.05												
ANGLES ±1°												