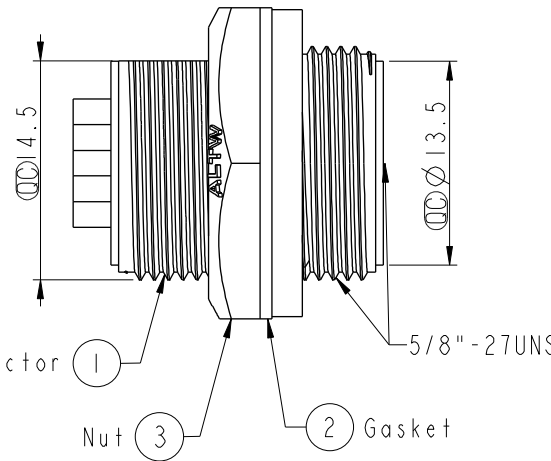
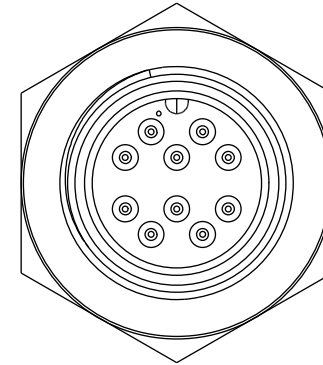
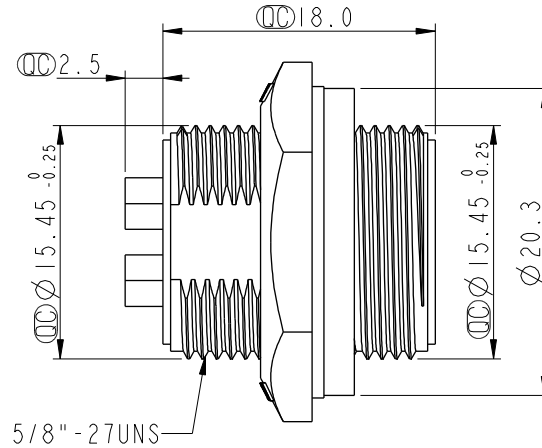
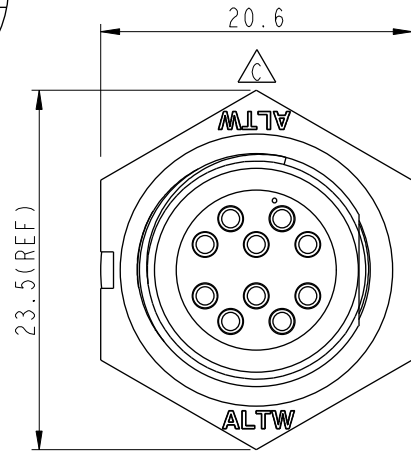
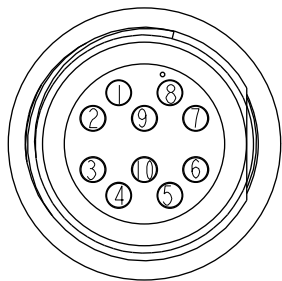


ALTW
CONFIDENTIAL
2019-02-26
R&D DEPT.

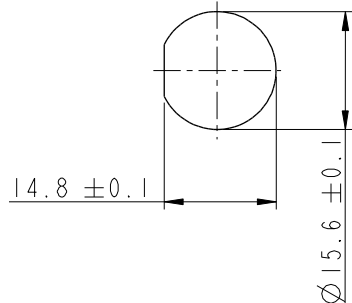
REV.	ECN NO.	DATE	SIGN	DESCRIPTION
B	LEN-8B0564	2008/09/22	Shin	Add Note
C	LEN15A0324	2015/06/03	Jinhai	Change Logo
D	CI90269	2019/02/26	Ruru	Modify Note



- Note: \triangle
- * ⌀ Important Dimension To Check.
 - * Waterproof Rate: IP67, Unmated
 - * Housing: Thermoplastic, Black
 - * Pin: Copper Alloy, Gold Plated
 - * Nut: Thermoplastic, Black
 - * Gasket: Rubber, Black
 - \triangle * Use with waterproof cap or dust cap
Panel Thickness Max: 4.0mm
 - \triangle * Use without waterproof cap or dust cap
Panel Thickness Max: 5.0mm
 - * Gasket and Nut are packed separately in PE bags.



Pin Assignments
Front View



Recommended Panel Cut-Out

UNIT:mm	⌀	⌀
TOLERANCE		
.X	±0.25	
.XX	±0.1	
.XXX	±0.05	
ANGLES	±1°	

TITLE Standard Rear Screw 10P M Conn M Pin			
SCALE 1:1	SIZE A4	SHEET 1 OF 1	
REV. D	WC-REV. A.3	⌀ : Inspection item	

Amphenol LTW
安費諾亮泰企業股份有限公司

ITEM NO BU-10RMMS-SC7001	DRAWN BY Ruru	DATE 2019-02-26
DWG NO BU-10RMMS-SC7001	CHECKED BY Rita	DATE 2019-02-26
CUSTOMER ALTW	APPROVED BY Max	DATE 2019-02-26

THIS DOCUMENT IS SUBJECT TO CHANGE WITHOUT NOTICE. IT IS CONFIDENTIAL AND A PROPERTY OF Amphenol LTW. DISCLOSURE TO THIRD PARTY HAS TO BE AUTHORIZED BY Amphenol LTW.