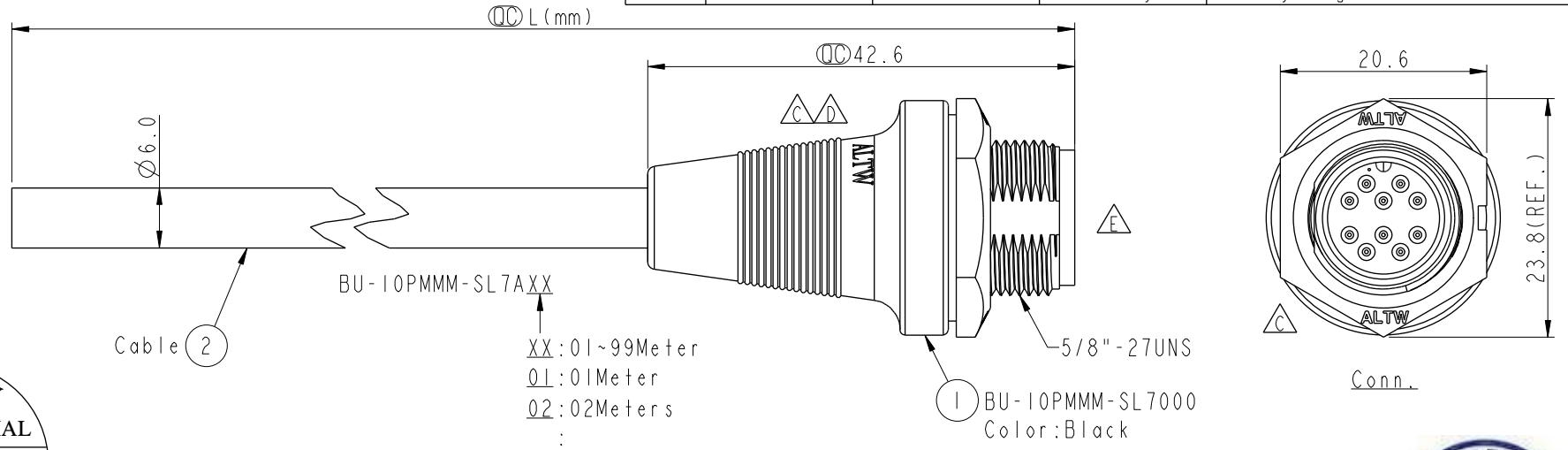


THIS DOCUMENT IS SUBJECT TO CHANGE WITHOUT NOTICE. IT IS CONFIDENTIAL AND A PROPERTY OF Amphenol LTW. DISCLOSURE TO THIRD PARTY HAS TO BE AUTHORIZED BY Amphenol LTW.

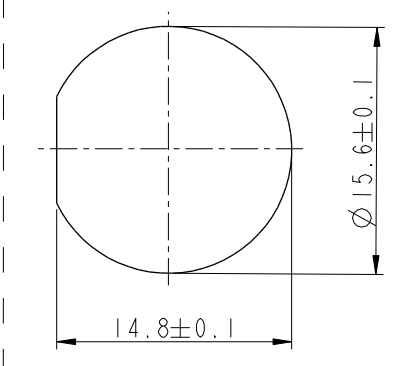
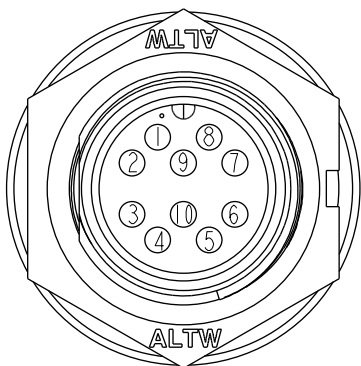
REV.	ECN NO.	DATE	SIGN	DESCRIPTION
C	LEN1590284-287	2015/09/03	Vicky	Update Logo & Note
D	LEN1640089-092	2016/04/08	Vicky	Modify Logo Position
E	LEN1750049-052	2017/05/04	Vicky	Modify Logo Position



Cable ②  
 BU-10PMMM-SL7AXX  
 XX: 01~99Meter  
 01: 01Meter  
 02: 02Meters  
 ...  
 99: 99Meters  
 Cable Length(L): 01~99Meters



- Note:
- \* ① Important Dimensions To Check
  - \* Waterproof Rate: IP67
  - \* Housing: Nylon+GF, Black
  - \* Male Pin: Copper Alloy, Gold Plated
  - \* Cable: UL2464 26#\*10C+D+Al/My,UV, PVC Jacket, Black, OD=6.0mm
- ⚠\* Use with waterproof cap or dust cap  
 Panel Thickness Max: 2.5mm  
 ⚠\* Use without waterproof cap or dust cap  
 Panel Thickness Max: 3.5mm  
 ⚠\* Cable Length Tolerance: 1M:±40mm  
 2M~5M:±60mm  
 6M~10M:±100mm  
 11M~30M:±200mm  
 31M~99M:±500mm



10	Orange	橙
9	Black	黑
8	Red	紅
7	Pink	粉紅
6	Gray	灰
5	Yellow	黃
4	Green	綠
3	White	白
2	Blue	藍
1	Brown	棕
Conn.	Wire Color	
	Pin Out	

Pin Assignments Front View

Recommended Panel Cut-Out

UNIT:mm	
TOLERANCE	±0.5 mm

TITLE Standard Cable Screw 10Pin M Conn M Pin			
SCALE 3:2	SIZE A4	SHEET 1	OF 1
REV. E	WC-REV. A.2	①: Inspection item	

**Amphenol LTW**  
 安費諾亮泰企業股份有限公司

ITEM NO	DRAWN BY Vicky	DATE 2017-05-04
DWG NO BU-10PMMM-SL7AXX	CHECKED BY Rita	DATE 2017-05-04
CUSTOMER ALTW	APPROVED BY Max	DATE 2017-05-04