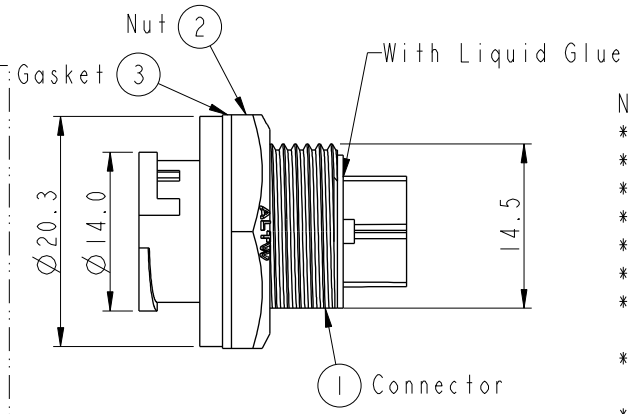
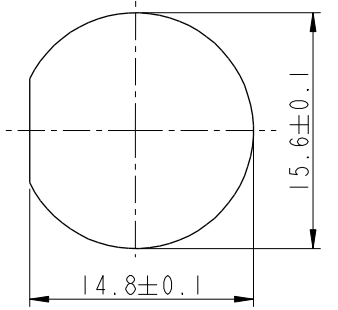
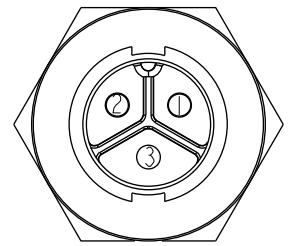
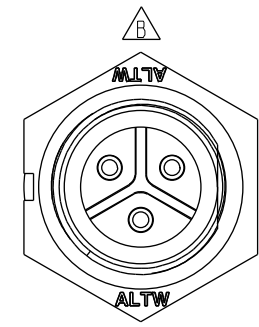
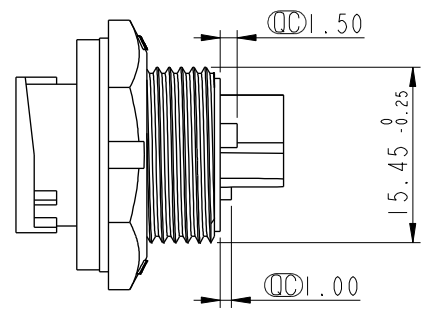
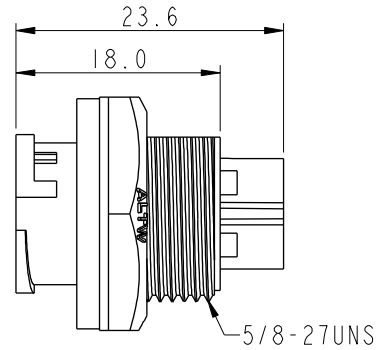
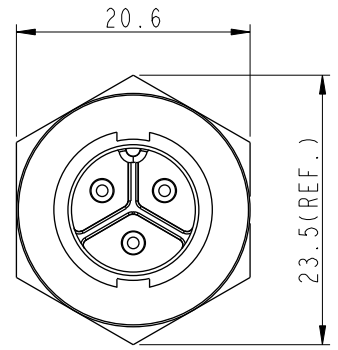
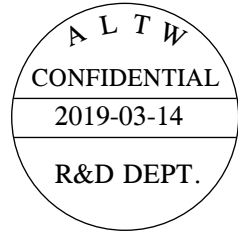


THIS DOCUMENT IS SUBJECT TO CHANGE WITHOUT NOTICE. IT IS CONFIDENTIAL AND A PROPERTY OF Amphenol LTW. DISCLOSURE TO THIRD PARTY HAS TO BE AUTHORIZED BY Amphenol LTW.

REV.	ECN NO.	DATE	SIGN	DESCRIPTION
A	Release	2013-06-28	Kevin Wang	
B	CI90315	2019/03/14	Ruru	Modify Note & Change Logo



- Note:
- * Important Dimension.
 - * Waterproof Rate: IP67, Unmated
 - * Housing: Thermoplastic, Black
 - * Pin: Copper Alloy, Gold Plated
 - * Nut: Thermoplastic, Black
 - * Gasket: Rubber, Gray
 - * Use With Waterproof Cap Or Dust Cap
Panel Thickness Max: 4.0mm.
 - * Use With Out Waterproof Cap Or Dust Cap
Panel Thickness Max: 5.0mm.
 - * Gasket and Nut are packed separately in PE bags.

Pin Assignments Front View Recommended Panel Cut-Out

UNIT:mm TOLERANCE .X ±0.25 .XX ±0.1 .XXX ±0.05 ANGLES ±1°	TITLE Standard, Rear Lock 3P M Conn M Pin			Amphenol LTW 安費諾亮泰企業股份有限公司		ITEM NO BD-03RMMS-LC7002	DRAWN BY Ruru	DATE 2019-03-14
	SCALE 3:2	SIZE A4	SHEET 1 OF 1			DWG NO BD-03RMMS-LC7002	CHECKED BY Rita	DATE 2019-03-14
	REV. B	WC-REV. A.8	Inspection item	CUSTOMER ALTW	APPROVED BY Max	DATE 2019-03-14		
						6	7	8