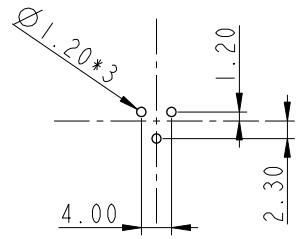
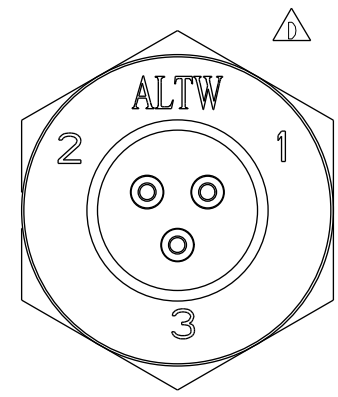
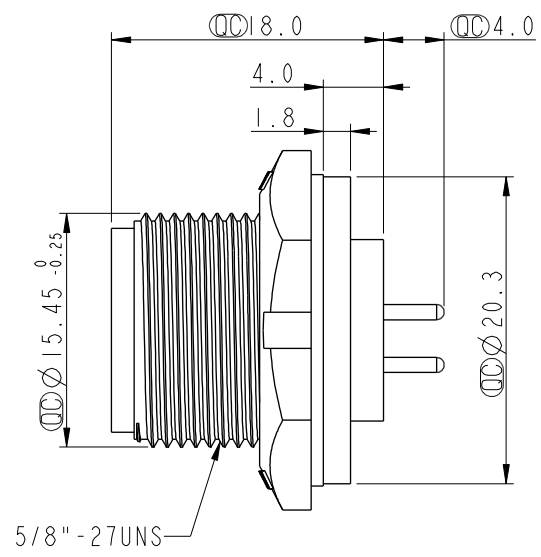
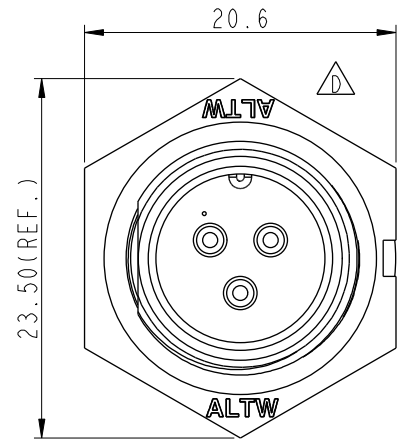
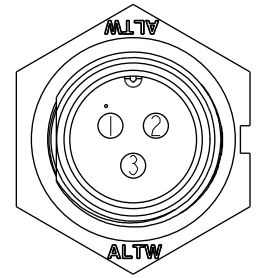


THIS DOCUMENT IS SUBJECT TO CHANGE WITHOUT NOTICE. IT IS CONFIDENTIAL AND A PROPERTY OF AMPHENOL LTW. DISCLOSURE TO THIRD PARTY HAS TO BE AUTHORIZED BY AMPHENOL LTW.

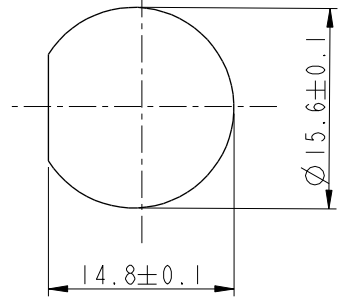
REV.	ECN NO.	DATE	SIGN	DESCRIPTION
C	LEN-8B0493	2008/09/17	Shin	Add Note
D	LEN1730289	2017/03/21	Ruur	Change Logo
E	CI90274	2019/02/22	Ruru	Modify Note



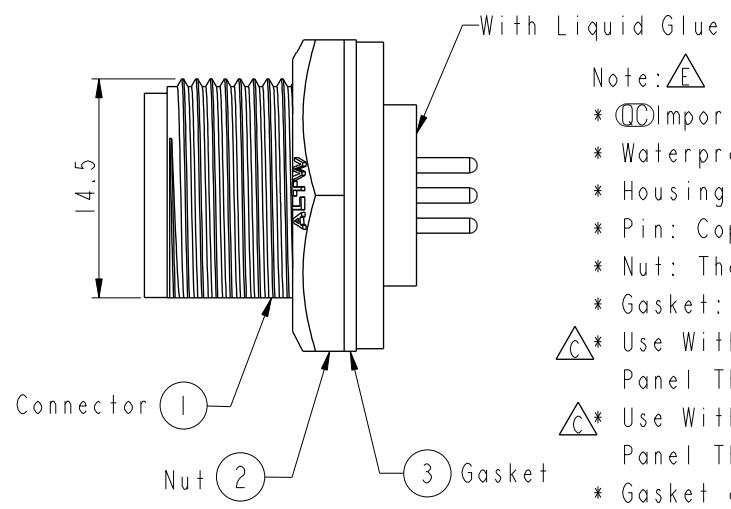
3 Pin Male Connector
Male Pin PCB Layout



Pin Assignments
Front View



Recommended Panel Cut-out



- Note:
 * Important Dimension To Check.
 * Waterproof Rate: IP67, Unmated
 * Housing: Thermoplastic, Black
 * Pin: Copper Alloy, Gold Plated
 * Nut: Thermoplastic, Black
 * Gasket: Rubber, Black
 * Use With Waterproof Cap Or Dust Cap
 Panel Thickness Max: 3.0mm
 * Use Without Waterproof Cap Or Dust Cap
 Panel Thickness Max: 4.0mm
 * Gasket and Nut are packed separately in PE bags.

UNIT:mm		
TOLERANCE	.X ±0.25	
.XX ±0.1		
.XXX ±0.05		
ANGLES	±1°	

TITLE Standard Panel Screw 3Pin M Conn M Pin			
SCALE 2:1	SIZE A4	SHEET 1 OF 1	
REV. E	WC-REV. A.3	Inspection item	

Amphenol LTW
安費諾亮泰企業股份有限公司

ITEM NO BD-03PMMP-SC7001	DRAWN BY Ruru	DATE 2019-02-22
DWG NO BD-03PMMP-SC7001	CHECKED BY Rita	DATE 2019-02-22
CUSTOMER ALTW	APPROVED BY Max	DATE 2019-02-22