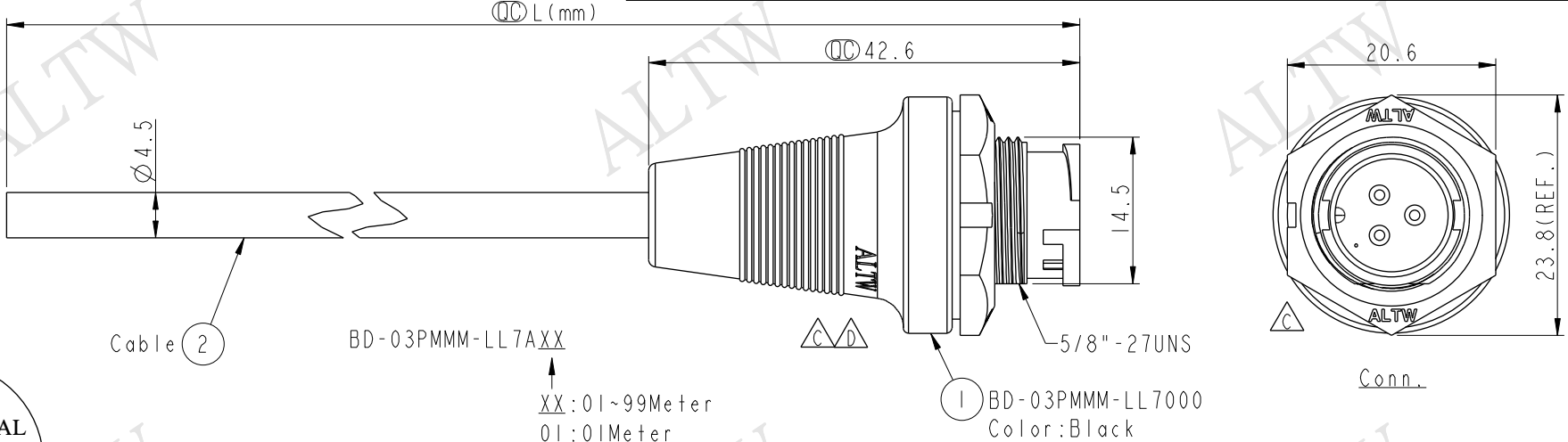
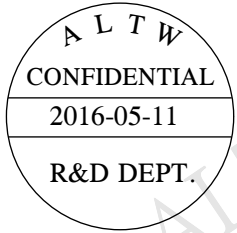


REV.	ECN NO.	DATE	SIGN	DESCRIPTION
B	LEN-8B0365-368	2008/09/19	Shin	Add Note
C	LEN15A0166-169	2015/09/25	Vicky	Update Logo & Note
D	LEN1650336-339	2016/05/11	Ruru	Modify Logo Position



Cable ②

BD-03PMMM-LL7AXX

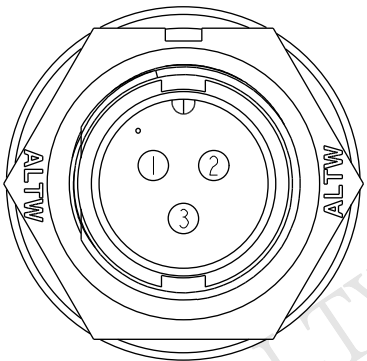
XX:01~99Meter
 01:01Meter
 02:02Meters
 :
 :
 99:99Meters

Cable Length(L):01~99Meters

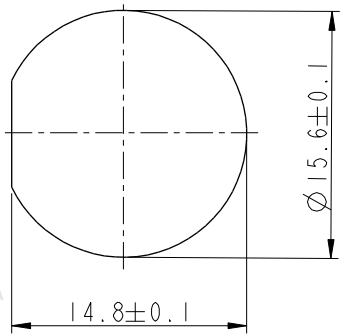
① BD-03PMMM-LL7000
 Color:Black

Note:

- * ϕ Important Dimensions To Check
- * Waterproof Rate: IP67
- * Housing: Nylon+GF, Black
- * Male Pin: Copper Alloy, Gold Plated
- * Cable: UL2464 24#*3C+D+Al/My,UV, PVC Jacket, Black, OD=4.5mm
- $\triangle B$ * Use with waterproof cap or dust cap
 Panel Thickness Max: 2.5mm
- $\triangle B$ * Use without waterproof cap or dust cap
 Panel Thickness Max: 3.5mm
- $\triangle C$ * Cable Length Tolerance: 1M:±40mm
 2M~5M:±60mm
 6M~10M:±100mm
 11M~30M:±200mm
 31M~99M:±500mm



Pin Assignments Front View



Recommended Panel Cut-Out

3	Black	黑
2	Blue	藍
1	Brown	棕
Conn.	Wire Color	
	Pin Out	

UNIT:mm	
TOLERANCE	±0.5 mm

TITLE Standard Cable Lock 3Pin M Conn M Pin			
SCALE 3:2	SIZE A4	SHEET 1	OF 1
REV. D	WC-REV. A.1	ϕ Inspection item	

Amphenol LTW
 安費諾亮泰企業股份有限公司

ITEM NO	DRAWN BY	DATE
DWG NO BD-03PMMM-LL7AXX	Ruru	2016-05-11
CUSTOMER	CHECKED BY	DATE
ALTW	Rita	2016-05-11
	APPROVED BY	DATE
	Lisa	2016-05-11

THIS DOCUMENT IS SUBJECT TO CHANGE WITHOUT NOTICE. IT IS CONFIDENTIAL AND A PROPERTY OF Amphenol LTW. DISCLOSURE TO THIRD PARTY HAS TO BE AUTHORIZED BY Amphenol LTW.