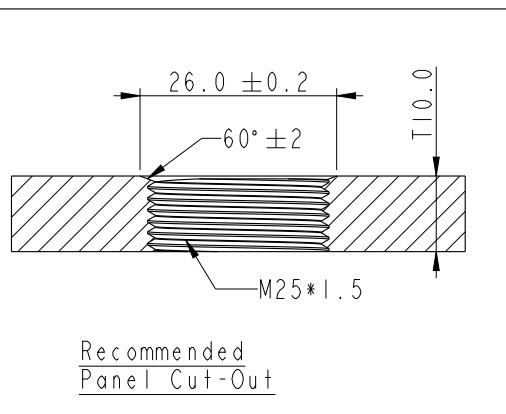
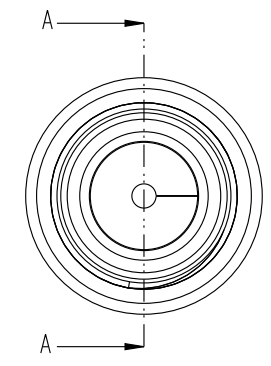
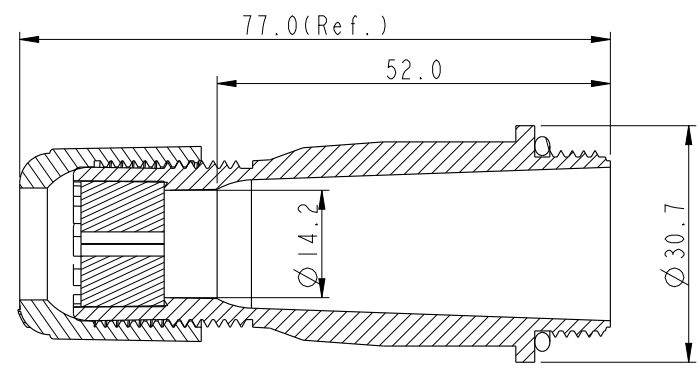
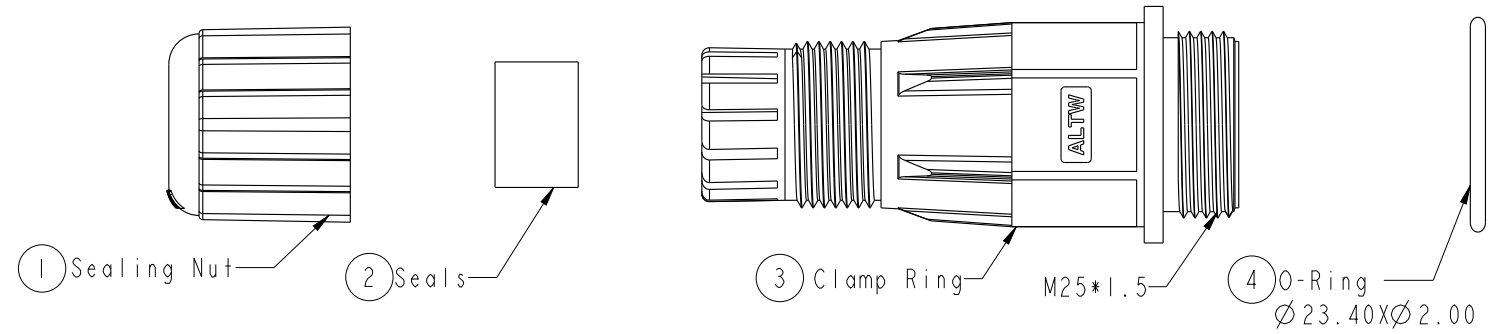


THIS DOCUMENT IS SUBJECT TO CHANGE WITHOUT NOTICE. IT IS CONFIDENTIAL AND A PROPERTY OF Amphenol LTW. DISCLOSURE TO THIRD PARTY HAS TO BE AUTHORIZED BY Amphenol LTW.

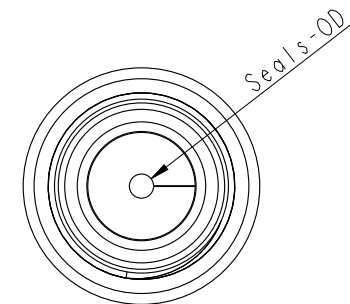
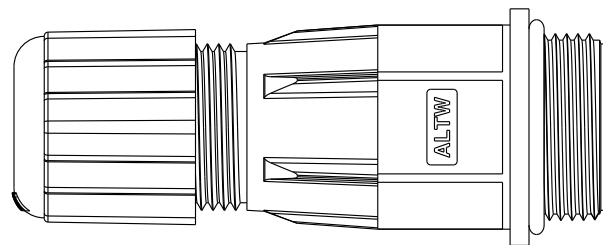
REV.	ECN NO.	DATE	SIGN	DESCRIPTION
B	C201849	2020-11-19	JC Chen	△X2



- Notes:
- * Ⓢ Important Dimension.
 - * Waterproof Rating: IP67
 - * Clamp Ring: PA66, UL94V-0.
 - * Seal Nut: PA66, UL94V-0.
 - * Seal: Silicone, UL94V-0, Gray.
 - * O-Ring: Silicone, UL94V-0, Gray.
 - * Assembly Put Into One PE Bag.

UNIT: mm TOLERANCE ±0.5		TITLE M25 LONGER CABLE GLAND		<h1>Amphenol LTW</h1> <p>安費諾亮泰企業股份有限公司</p>	ITEM NO CSL-25M0XX	DRAWN BY Ouyang	DATE 2018/01/17	
		SCALE 1:1	SIZE A4		SHEET 1 OF 2	DWG NO CSL-25M0XX	CHECKED BY Mafei	DATE 2018/01/17
		REV. B	WC-REV. A.2		Inspection item	CUSTOMER ALTW	APPROVED BY Jerry	DATE 2018/01/17

THIS DOCUMENT IS SUBJECT TO CHANGE WITHOUT NOTICE. IT IS CONFIDENTIAL AND A PROPERTY OF Amphenol LTW. DISCLOSURE TO THIRD PARTY HAS TO BE AUTHORIZED BY Amphenol LTW.



CSL-25M0XX

01:OD=2.6 Color Black
02:OD=2.6 Color Grey

11:OD=12.6 Color Black
12:OD=12.6 Color Grey

Cable OD Range $\varnothing 1.8 \sim \varnothing 2.2$ $\triangle B$	Cable OD Range $\varnothing 2.2 \sim \varnothing 2.8$ $\triangle B$
Two Holes <u>Feed-Thru</u>	Two Holes <u>Feed-Thru</u>
One Holes <u>Insert</u>	One Holes <u>Feed-Thru</u>

No.	Part Number	Thread Style	Holes	Cable OD Range	Color	Note
1	CSL-25M001	M25	1	$\varnothing 1.5 \sim \varnothing 2.6$	Black	Feed-Thru
2	CSL-25M002	M25	1	$\varnothing 1.5 \sim \varnothing 2.6$	Grey	Feed-Thru
3	CSL-25M003	M25	1	$\varnothing 2.0 \sim \varnothing 3.2$	Black	Feed-Thru
4	CSL-25M004	M25	1	$\varnothing 2.0 \sim \varnothing 3.2$	Grey	Feed-Thru
5	CSL-25M005	M25	2	$\varnothing 1.8 \sim \varnothing 2.8$	Black	Feed-Thru
6	CSL-25M006	M25	2	$\varnothing 1.8 \sim \varnothing 2.8$	Grey	Feed-Thru
7	CSL-25M007	M25	1	$\varnothing 5.0 \sim \varnothing 7.0$	Black	Feed-Thru
8	CSL-25M008	M25	1	$\varnothing 5.0 \sim \varnothing 7.0$	Grey	Feed-Thru
9	CSL-25M009	M25	1	$\varnothing 6.5 \sim \varnothing 9.0$	Black	Feed-Thru
10	CSL-25M010	M25	1	$\varnothing 6.5 \sim \varnothing 9.0$	Grey	Feed-Thru
11	CSL-25M011	M25	1	$\varnothing 10.0 \sim \varnothing 12.4$	Black	Insert
12	CSL-25M012	M25	1	$\varnothing 10.0 \sim \varnothing 12.4$	Grey	Insert

UNIT: mm TOLERANCE ± 0.5			TITLE M25 LONGER CABLE GLAND	<h1>Amphenol LTW</h1> <h2>安費諾亮泰企業股份有限公司</h2>	ITEM NO CSL-25M0XX	DRAWN BY Ouyang	DATE 2018/01/17
	SCALE 1:1		SIZE A4	SHEET 2 OF 2	DWG NO CSL-25M0XX	CHECKED BY Mafei	DATE 2018/01/17
	REV. B	WC-REV. A.2	(QC) Inspection item	CUSTOMER ALTW	APPROVED BY Jerry	DATE 2018/01/17	