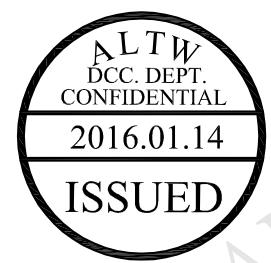
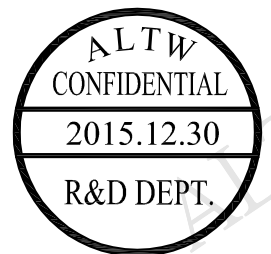
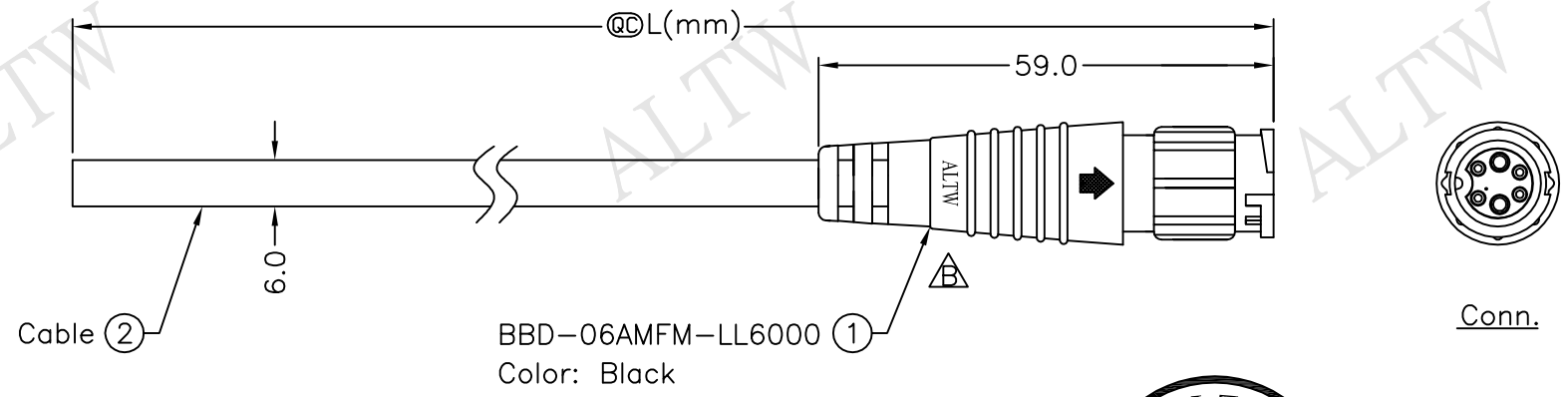
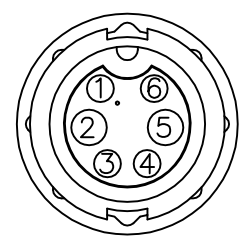


REV.	ECN NO.	DATE	SIGN	DESCRIPTION
B	LEN1610129~32	2015/12/30	Ruru	Change Logo & Note



BBD-06AMFM-LL6AXX  
 ↑  
 XX:01~99Meter  
 01:01Meter  
 02:02Meters  
 ⋮  
 99:99Meters  
 Cable Length(L):01~99Meters

- Note:**
- \* @C Important Dimension To Check.
  - \* Waterproof Rate: IP66
  - \* Connector: Nylon+GF, Black
  - \* Female Pin: Copper Alloy, Gold Plated
  - \* Cable: UL2464(20AWG\*2C+24AWG\*4C)+Drain+Al/My PVC Jacket UV Resistant, OD=6.0, Black
  - \* Cable Length Tolerance:
    - 01M: ±40mm
    - 02M~05M: ±60mm
    - 06M~10M: ±100mm
    - 11M~30M: ±200mm
    - 31M~99M: ±500mm



Pin Assignments  
Front View

6	Grey	24AWG
5	Blue	20AWG
4	Green	24AWG
3	White	24AWG
2	Brown	20AWG
1	Yellow	24AWG
Conn.	Wire Color	
	Pin Out	

UNIT:mm		TITLE
TOLERANCE		Lock Type Cable Assembly-180°
±0.5 mm		6Pin Male Connector Female Pin(10A+5A)
	SCALE	SHEET
	Free	1 OF 1
REV.	SIZE	@C :Inspection Item
B	A4	

**Amphenol LTW**  
 安費諾亮泰企業股份有限公司

ITEM NO	DRAWN BY	DATE
	Ruru	2015/12/30
DWG NO	CHECKED BY	DATE
BBD-06AMFM-LL6AXX	Rita	2015/12/30
CUSTOMER	APPROVED BY	DATE
ALTW	Lisa	2015/12/30

THIS DOCUMENT IS SUBJECT TO CHANGE WITHOUT NOTICE. IT IS CONFIDENTIAL AND A PROPERTY OF Amphenol LTW. DISCLOSURE TO THIRD PARTY HAS TO BE AUTHORIZED BY Amphenol LTW.