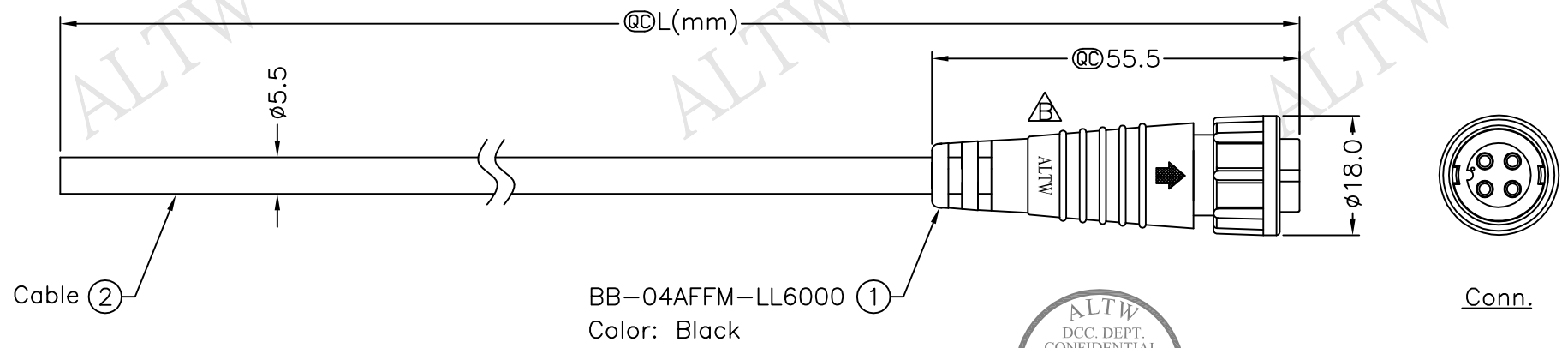
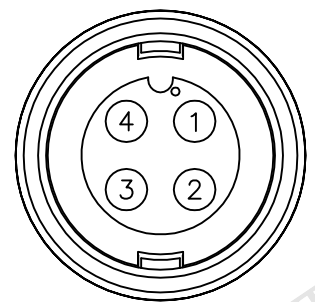


REV.	ECN NO.	DATE	SIGN	DESCRIPTION
B	LEN1660139~142	2016/05/26	Ruru	Change Logo & Note



BB-04AFFM-LL6AXX
 ↑
 XX:01~99Meter
 01:01Meter
 02:02Meters
 :
 :
 99:99Meters
 Cable Length(L):01~99Meters



Pin Assignments
Front View

4	White
3	Black
2	Blue
1	Brown
Conn.	Wire Color
Pin Out	

- Note:
- * @C Important Dimension To Check.
 - * Waterproof Rate: IP66
 - * Housing: Nylon+GF, Black
 - * Pin: Copper Alloy, Gold Plated
 - * Cable: UL2464 20AWG*4C+Al/My, PVC Jacket, UV Resistant, OD=5.5mm, Black
 - * Cable Length Tolerance: 01M: ±40mm
 02M~05M: ±60mm
 06M~10M: ±100mm
 11M~30M: ±200mm
 31M~99M: ±500mm



UNIT:mm		TITLE	Standard	ITEM NO	BB-04AFFM-LL6AXX	DRAWN BY	Ruru	DATE	2016/05/26
TOLERANCE	±0.5 mm	Cable Lock 4Pin F Conn. F Pin	Amphenol LTW	DWG NO	BB-04AFFM-LL6AXX	CHECKED BY	Rita	DATE	2016/05/26
SCALE	Free	SHEET 1 OF 1	安費諾亮泰企業股份有限公司	CUSTOMER	ALTW	APPROVED BY	Lisa	DATE	2016/05/26
REV.	B	SIZE	A4	@C :Inspection Item					

THIS DOCUMENT IS SUBJECT TO CHANGE WITHOUT NOTICE. IT IS CONFIDENTIAL AND A PROPERTY OF Amphenol LTW. DISCLOSE TO THIRD PARTY HAS TO BE AUTHORIZED BY Amphenol LTW.