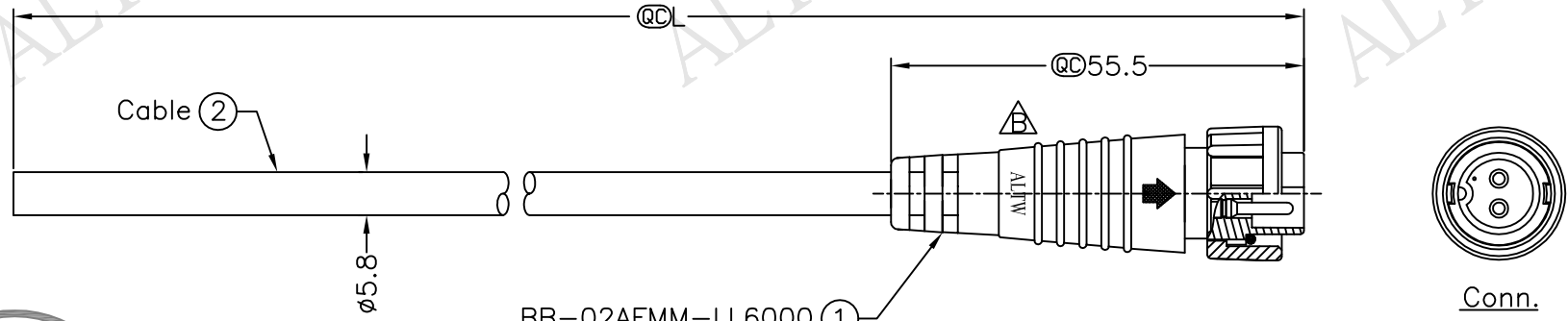
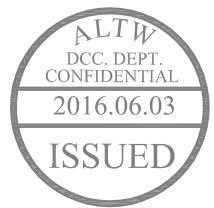


REV.	ECN NO.	DATE	SIGN	DESCRIPTION
B	LEN1660114~118	2016/05/26	Ruru	Change Logo & Note

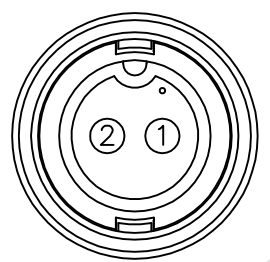


BB-02AFMM-LL6000 ①
Color:Black

BB-02AFMM-LL6AXX
XX:01~99Meter
01:01Meter
02:02Meters
:
:
99:99Meters
Cable Length(L):01~99Meters



- Note:
- * @ Important Dimension.
 - * Waterproof Rate: IP66
 - * Housing: Nylon+GF, Black
 - * Male Pin: Copper Alloy, Gold Plated
 - * O-Ring: EPDM, Black
 - * Nut: Nylon+GF, Black
 - * Cable: UL2464 20#*2C+Drain+Al/My, UV Resistant, OD=5.8mm, Black
 - * Cable Length Tolerance: 01M: ±40mm
02M~05M: ±60mm
06M~10M: ±100mm
11M~30M: ±200mm
31M~99M: ±500mm



Pin Assignments Front View 前視圖

Red	紅	2
Green	綠	1
Wire Color		Conn.
Pin Out		

UNIT:mm	
TOLERANCE	±0.5 mm

TITLE	Standard Cable Lock 2P F Conn M Pin		
SCALE	1:1	SHEET	1 OF 1
REV.	B	SIZE	A4
QC :Inspection Item			

Amphenol LTW
安費諾亮泰企業股份有限公司

ITEM NO	
DWG NO	BB-02AFMM-LL6AXX
CUSTOMER	ALTW

DRAWN BY	Ruru
CHECKED BY	Rita
APPROVED BY	Lisa

DATE	2016/05/26
DATE	2016/05/26
DATE	2016/05/26

THIS DOCUMENT IS SUBJECT TO CHANGE WITHOUT NOTICE. IT IS CONFIDENTIAL AND A PROPERTY OF Amphenol LTW. DISCLOSE TO THIRD PARTY HAS TO BE AUTHORIZED BY Amphenol LTW.

1
F
E
D
C
B
A

2
3
4
5
6
7
8