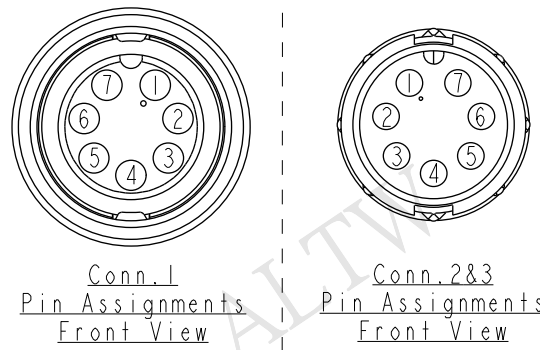
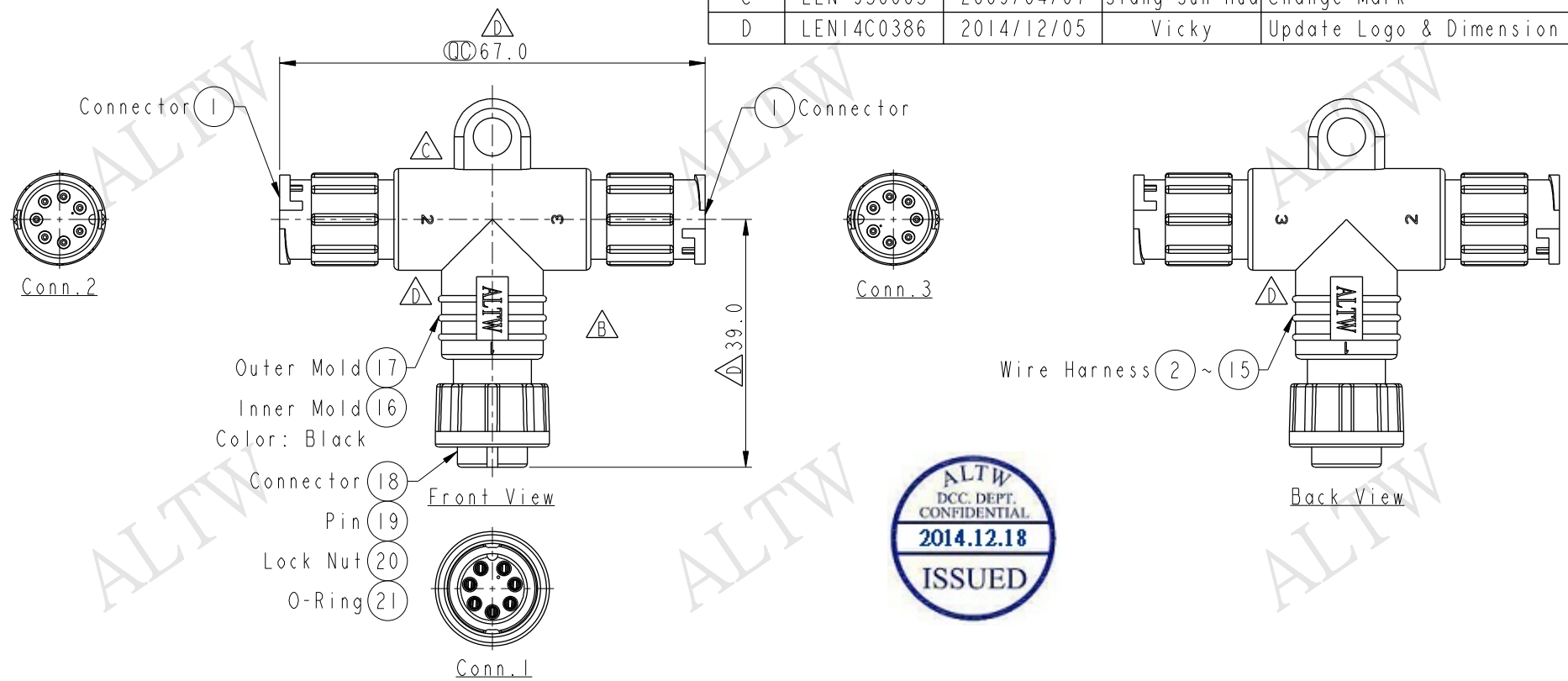


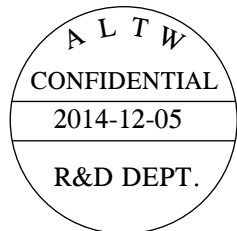
THIS DOCUMENT IS SUBJECT TO CHANGE WITHOUT NOTICE. IT IS CONFIDENTIAL AND A PROPERTY OF AMPHENOL LTW. DISCLOSURE TO THIRD PARTY HAS TO BE AUTHORIZED BY AMPHENOL LTW.

REV.	ECN NO.	DATE	SIGN	DESCRIPTION
B	LE3-7B0016	2007/10/31	Ivan	Add Number In Product Drawing
C	LEN-950005	2009/04/07	Jiang Jun Hua	Change Mark
D	LEN14C0386	2014/12/05	Vicky	Update Logo & Dimension



7	7	7	Yellow	黃
6	6	6	Green	綠
5	5	5	White	白
4	4	4	Brown	棕
3	3	3	Blue	藍
2	2	2	Black	黑
1	1	1	Red	紅
Conn.1	Conn.2	Conn.3	Wire Color	

Pin Out



- Note:
- * \varnothing Important Dimension.
 - * Waterproof Rate: IP66
 - * Connector: Nylon+GF, Black
 - * Pin: Copper Alloy, Gold Plated
 - * Lock Nut: Nylon+GF, Black
 - * O-Ring: EPDM, Black
 - * Wire Harness: UL1007 24AWG

UNIT:mm TOLERANCE ± 0.5 mm	TITLE Standard T Adaptor Lock 7Pin FMM Conn FMM Pin		Amphenol LTW 安費諾亮泰企業股份有限公司		ITEM NO BA-070707-FMM-TL001	DRAWN BY Vicky	DATE 2014-12-05	
	SCALE 1:1	SIZE A4			SHEET 1 OF 1	DWG NO BA-070707-FMM-TL001	CHECKED BY Sam	DATE 2014-12-05
	REV. D	WC-REV. A.2			\varnothing : Inspection item	CUSTOMER ALTW	APPROVED BY Rita	DATE 2014-12-05