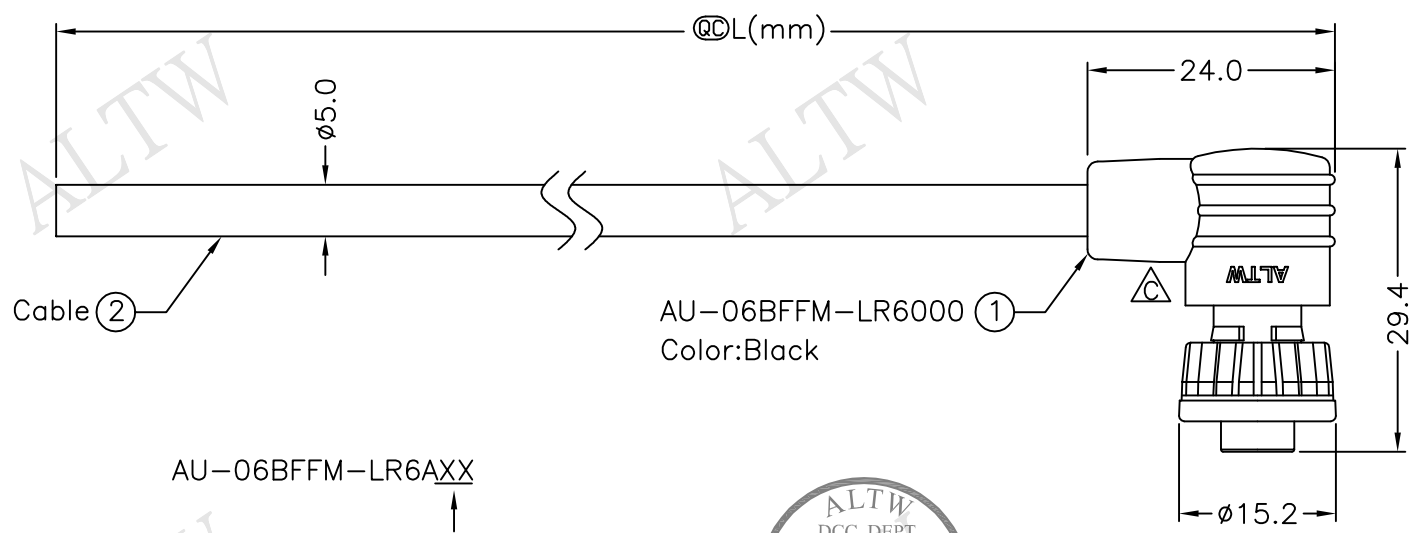
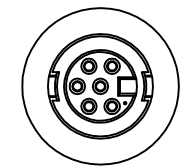
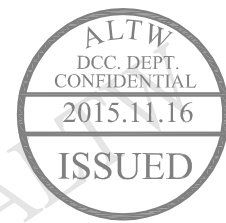


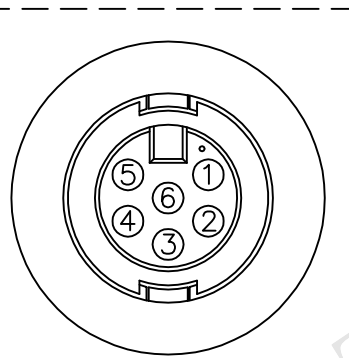
REV.	ECN NO.	DATE	SIGN	DESCRIPTION
B	LEN-0C0332~335	2010/11/26	Ivan Lin	Change View & Frame
C	LEN15B0167~170	2015/11/06	Vicky	Update Logo



AU-06BFFM-LR6AXX
 XX:01~99Meter
 01:01Meter
 02:02Meters
 :
 :
 99:99Meters
 Cable Length(L):01~99Meters



- Note: Conn.
- * @C Important Dimensions To Check.
 - * Waterproof Rate:IP66
 - * Housing: Nylon+GF,Black
 - * Female Pin: Copper Alloy,Gold Plated
 - * Cable: UL2464 26AWG*6C+Drain+Al/My, PVC Jacket, UV Resistant, OD=5.0mm, Black
 - * Cable Length Tolerance: 01M:±40mm
 02M~05M:±60mm
 06M~10M:±100mm
 11M~30M:±200mm
 31M~99M:±500mm



Pin Assignments
Front View

Gray	灰	6
Yellow	黃	5
Green	綠	4
White	白	3
Blue	藍	2
Brown	棕	1
Wire Color		Conn.
Pin Out		

UNIT:mm		TITLE
TOLERANCE	±0.5 mm	Mini, Cable Lock 6Pin F Conn F Pin
SCALE	Free	SHEET 1 OF 1
REV. C	SIZE A4	@C :Inspection Item

Amphenol LTW
 安費諾亮泰企業股份有限公司

ITEM NO	DRAWN BY	DATE
DWG NO	CHECKED BY	DATE
CUSTOMER	APPROVED BY	DATE
ALTW	Vicky	2015/11/06
	Rita	2015/11/06
	Lisa	2015/11/06

THIS DOCUMENT IS SUBJECT TO CHANGE WITHOUT NOTICE. IT IS CONFIDENTIAL AND A PROPERTY OF Amphenol LTW. DISCLOSURE TO THIRD PARTY HAS TO BE AUTHORIZED BY Amphenol LTW.

A B C D E F

1 2 3 4 5 6 7 8