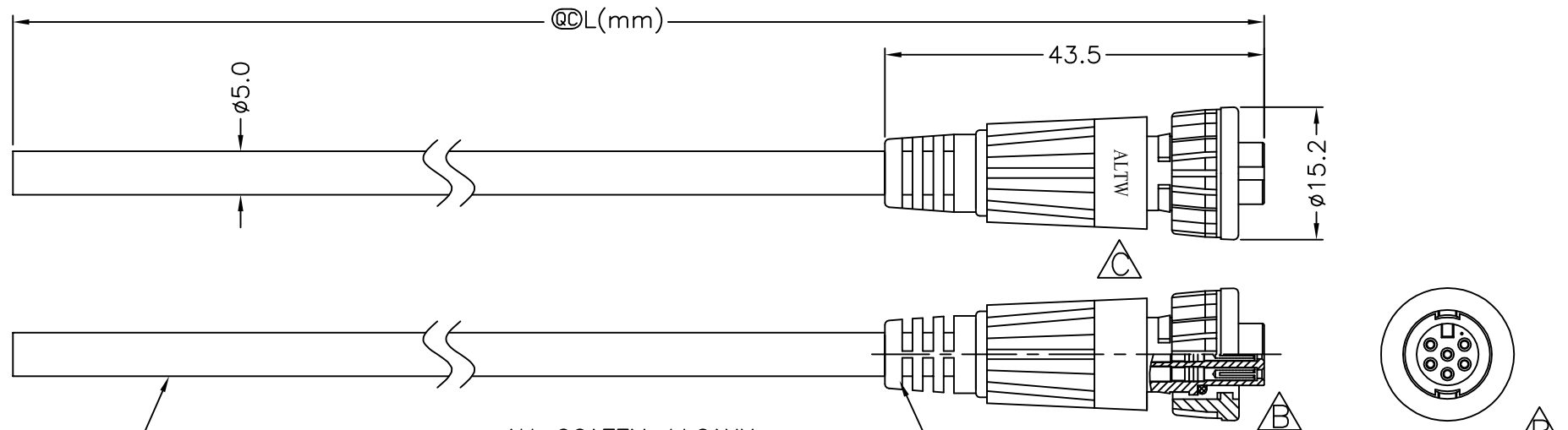


REV.	ECN NO.	DATE	SIGN	DESCRIPTION
B	LEN-0C0320~323	2010/11/26	Ivan Lin	Change View & Frame
C	LEN15C0373~376	2015/12/08	Ruru	Change Logo

THIS DOCUMENT IS SUBJECT TO CHANGE WITHOUT NOTICE. IT IS CONFIDENTIAL AND A PROPERTY OF Amphenol LTW. DISCLOSURE TO THIRD PARTY HAS TO BE AUTHORIZED BY Amphenol LTW.



Cable ②

AU-06AFFM-LL6AXX

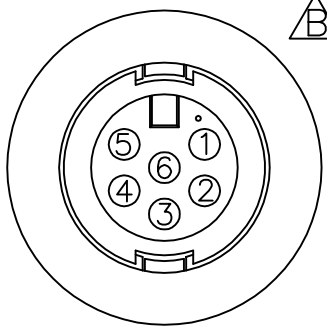
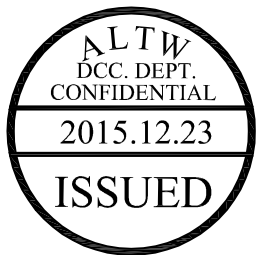
① AU-06AFFM-LL6000
Color: Black

Conn.

XX:01~99Meter
01:01Meter
02:02Meters
:
:
99:99Meters

Cable Length(L):01~99Meters

- Note:
- * @C Important Dimension To Check.
 - * Waterproof Rate: IP66
 - * Connector:Nylon+GF ,Black
 - * Female Pin: Copper Alloy, Gold Plated
 - * Cable: UL2464 26AWG*6C+Drain+Al/My, PVC Jacket (UV Resistant) OD=5.0mm, Black
 - * Cable Length Tolerance: 01M:±40mm
02M~05M:±60mm
06M~10M:±100mm
11M~30M:±200mm
31M~99M:±500mm



Pin Assignments
Front View

Gray	灰	6
Yellow	黃	5
Green	綠	4
White	白	3
Blue	藍	2
Brown	棕	1
Wire Color		Conn.

Pin Out

UNIT:mm	
TOLERANCE	±0.5

TITLE Mini Cable Lock 6Pin F Conn. F Pin	
SCALE Free	SHEET 1 OF 1
REV. C	SIZE A4
④ :Inspection Item	

Amphenol LTW
安費諾亮泰企業股份有限公司

ITEM NO	DRAWN BY Ruru	DATE 2015/12/08
DWG NO AU-06AFFM-LL6AXX	CHECKED BY Rita	DATE 2015/12/08
CUSTOMER ALTW	APPROVED BY Lisa	DATE 2015/12/08