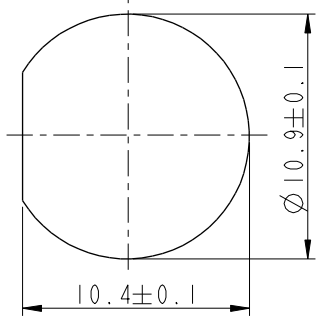
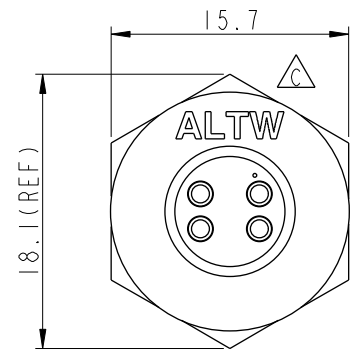
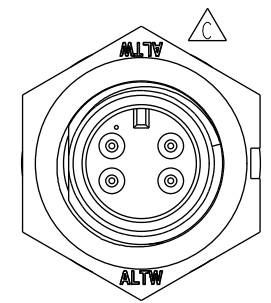
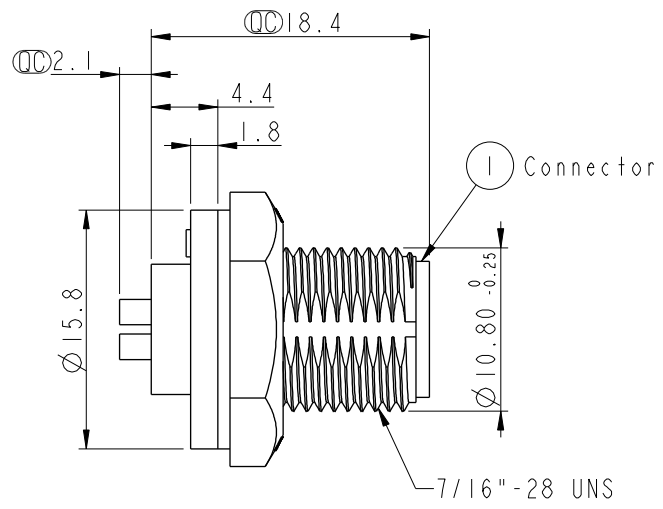
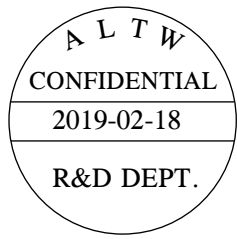
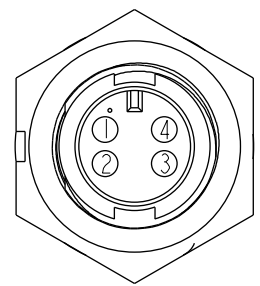


THIS DOCUMENT IS SUBJECT TO CHANGE WITHOUT NOTICE. IT IS CONFIDENTIAL AND A PROPERTY OF AMPHENOL LTW. DISCLOSURE TO THIRD PARTY HAS TO BE AUTHORIZED BY AMPHENOL LTW.

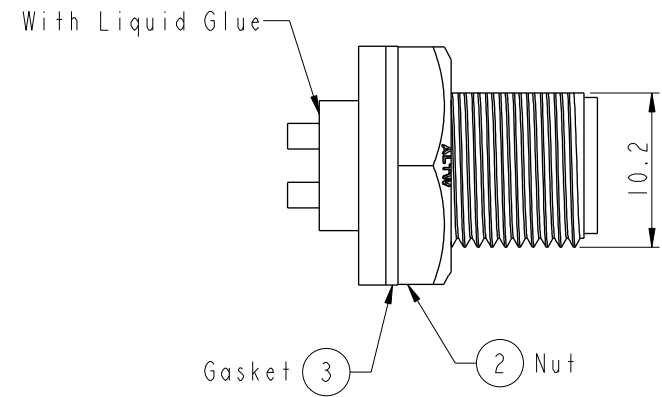
REV.	ECN NO.	DATE	SIGN	DESCRIPTION
B	LEN-8A0108	2008/09/15	Shin	Add Notes
C	LEN1741238	2017/04/17	Ruru	Change Logo
D	CI90268	2019/02/18	Ruru	Modify Note



Recommended Panel Cut-Out



Pin Assignments Front View



- Note: $\triangle D$
- * ⌀ Important Dimension.
 - * Waterproof Rate: IP67, Unmated
 - * Housing: Thermoplastic, Black
 - * Pin: Copper Alloy, Gold Plated
 - * Nut: Thermoplastic, Black
 - * Gasket: Rubber, Black
 - $\triangle B$ * Use with waterproof cap or dust cap
Panel Thickness max: 4.0mm
 - $\triangle B$ * Use without waterproof cap or dust cap
Panel Thickness max: 5.0mm
 - * Gasket and Nut are packed separately in PE bags.

A	UNIT:mm		TITLE Mini Panel Screw 4Pin M Conn M Pin			ITEM NO AU-04PMMS-SC7001	DRAWN BY Ruru	DATE 2019-02-18
	TOLERANCE .X ±0.25 .XX ±0.1 .XXX ±0.05 ANGLES ±1°		SCALE 2:1	SIZE A4	SHEET 1 OF 1	DWG NO AU-04PMMS-SC7001	CHECKED BY Rita	DATE 2019-02-18
			REV. D	WC-REV. A.2	⌀ : Inspection item	CUSTOMER ALTW	APPROVED BY Max	DATE 2019-02-18
	<h2 style="text-align: center;">Amphenol LTW</h2> <p style="text-align: center;">安費諾亮泰企業股份有限公司</p>							