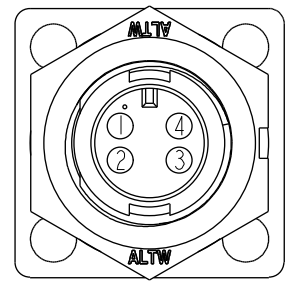
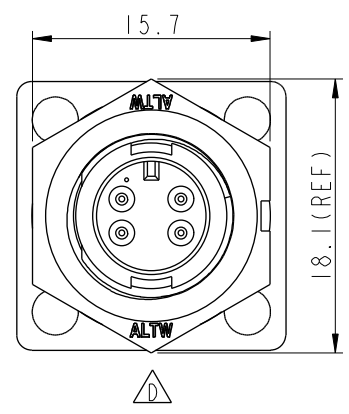
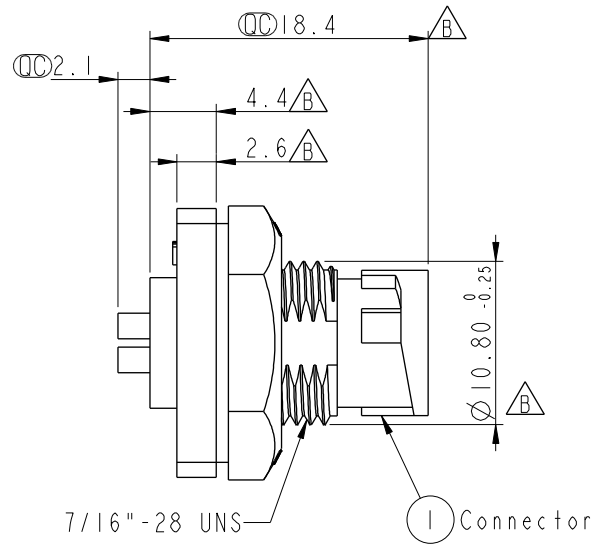
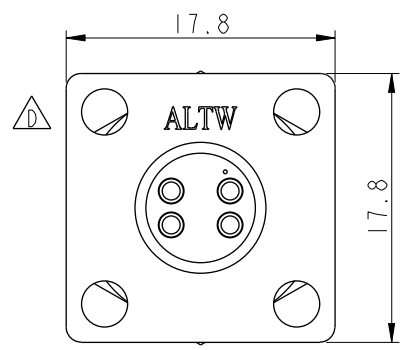


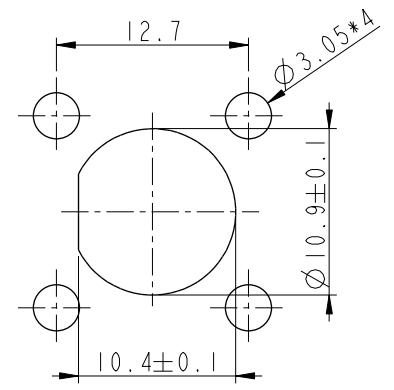
THIS DOCUMENT IS SUBJECT TO CHANGE WITHOUT NOTICE. IT IS CONFIDENTIAL AND A PROPERTY OF AMPHENOL LTW. DISCLOSURE TO THIRD PARTY HAS TO BE AUTHORIZED BY AMPHENOL LTW.

REV.	ECN NO.	DATE	SIGN	DESCRIPTION
C	LEN-8A0144	2008/09/15	Shin	Add Notes
D	LEN1640074	2016/03/30	Vicky	Update Logo
E	CI90268	2019/02/18	Ruru	Modify Note

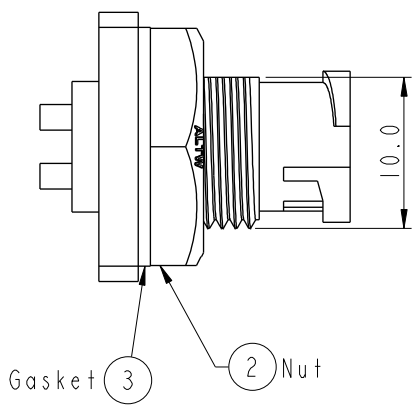
ALTW
 CONFIDENTIAL
 2019-02-18
 R&D DEPT.



Pin Assignments
Front View



Recommended Panel Cut-Out



- Note: \triangle
- * CC Important Dimension
 - * Waterproof Rate: IP67, Unmated
 - * Housing: Thermoplastic, Black
 - * Pin: Copper Alloy, Gold Plated
 - * Nut: Thermoplastic, Black
 - * Gasket: Rubber, Black
 - \triangle * Use with waterproof cap or dust cap
Panel Thickness max: 2.5mm
 - \triangle * Use without waterproof cap or dust cap
Panel Thickness max: 3.5mm
 - * Gasket and Nut are packed separately in PE bags.

UNIT: mm		
TOLERANCE		
.X	±0.25	
.XX	±0.1	
.XXX	±0.05	
ANGLES	±1°	

TITLE			
Mini Panel Lock 4Pin M Conn. M Pin			
SCALE	SIZE	SHEET	OF
2:1	A4	1	1
REV.	WC-REV.	CC : Inspection item	
E	A.3		

Amphenol LTW
 安費諾亮泰企業股份有限公司

ITEM NO.	DRWN BY	DATE
AU-04PMMS-LS7001	Ruru	2019-02-18
DWG NO.	CHEKED BY	DATE
AU-04PMMS-LS7001	Rita	2019-02-18
CUSTOMER	APPROVED BY	DATE
ALTW	Max	2019-02-18