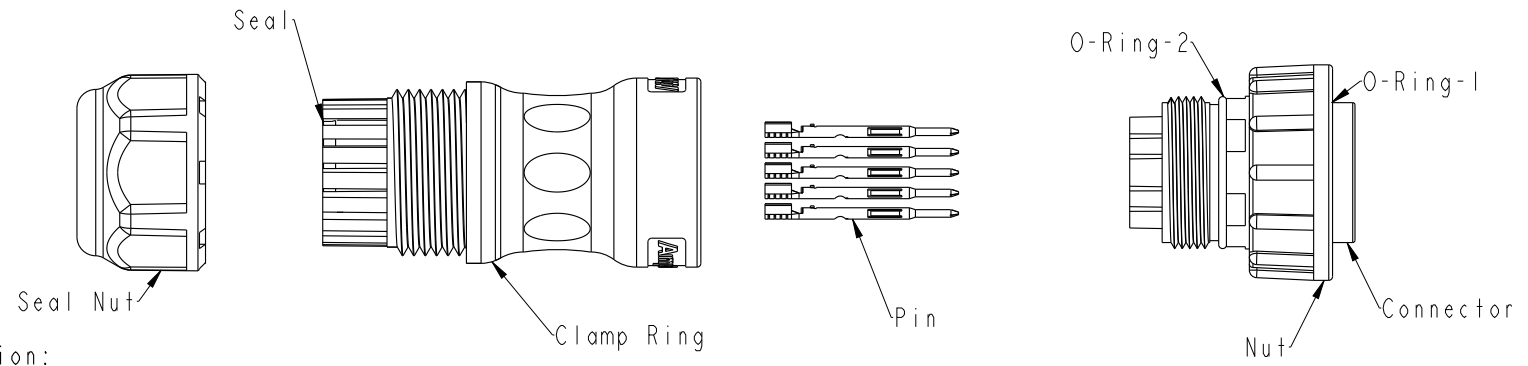


THIS DOCUMENT IS SUBJECT TO CHANGE WITHOUT NOTICE. IT IS CONFIDENTIAL AND A PROPERTY OF AMPHENOL LTW. DISCLOSURE TO THIRD PARTY HAS TO BE AUTHORIZED BY AMPHENOL LTW.

REV.	ECN NO.	DATE	SIGN	DESCRIPTION
B	C192041	2019-11-25	Peng	△ XI



Material Specification:

- * Connector: Nylon+GF, Black.
- * Pins: Copper Alloy, Gold Plated.
- * Seal & O-Ring: Silicone, Gray.
- * UL Rated: UL 94V-0, fl.
- * RoHS Compliant.

Electrical Specification:

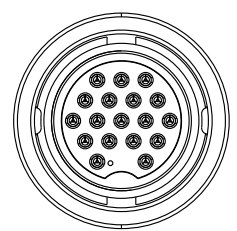
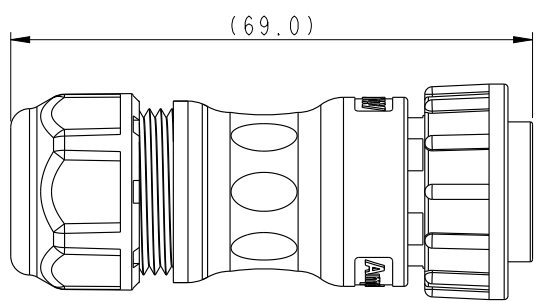
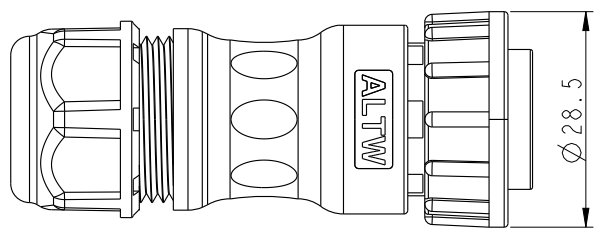
- * Contact Resistance: 10mΩ Max.
- * Insulation Resistance: 100MΩ Min.
- * Dielectric Withstand Voltage: 1,600 Vac.

Mechanical Specification:

- * Durability: 1000 Cycles.
- * Tensile strength: 10 kgf.
- * Wire Conductor:
 - 5A: 22AWG~20AWG
 - 20A: 14AWG~12AWG
- * Wire Insulation OD:
 - 5A: 1.9mm Max.
 - 20A: 4.3mm Max.
- * Torque Force for Clamp Ring: 6~8 kgf-cm
- * Torque Force for Seal Nut: 6~8 kgf-cm

Environmental Specification:

- * Waterproof Rating: IP67(Mated)
- * Temperature Range: -40°C to 105°C.
- * Salt Spray: Mated, 1000 Hours.
- * Safety Compliance: UL 1977.



UNIT:mm		
TOLERANCE		
±0.5 mm		

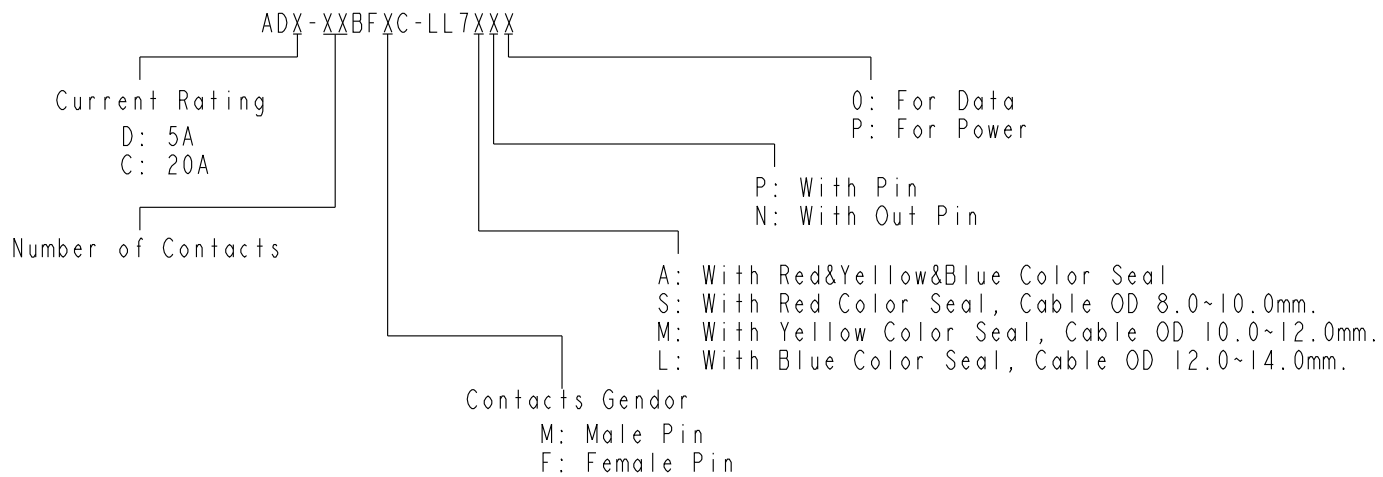
TITLE Circular D-Size Field Installable Cable Type F Conn			
SCALE 8:5	SIZE A4	SHEET 1 OF 2	
REV. B	WC-REV. A.3	QC: Inspection item	

Amphenol LTW
安費諾亮泰企業股份有限公司

ITEM NO	DRAWN BY Peng	DATE 2018-12-17
DWG NO ADX-XXBFXC-LL7XXX	CHECKED BY Mafei	DATE 2018-12-17
CUSTOMER ALTW	APPROVED BY Jerry	DATE 2018-12-17

THIS DOCUMENT IS SUBJECT TO CHANGE WITHOUT NOTICE. IT IS CONFIDENTIAL AND A PROPERTY OF AMPHENOL LTW. DISCLOSURE TO THIRD PARTY HAS TO BE AUTHORIZED BY AMPHENOL LTW.

Ordering Information:



Pin Assignments Front View	20A ; 2 Contacts(02)	20A ; 3 Contacts(03)	20A ; 4 Contacts(04)	20A ; 5 Contacts(05)	20A ; 6 Contacts(06)	20A ; 7 Contacts(07)	5A ; 18 Contacts(18)
Male Pin	/						
Female Pin							

UNIT:mm		TITLE Circular D-Size Field Installable Cable Type F Conn	
TOLERANCE ±0.5 mm	SCALE 8:5	SIZE A4	SHEET 2 OF 2
	REV. B	WC-REV. A.3	QC: Inspection item

Amphenol LTW
 安費諾亮泰企業股份有限公司

ITEM NO	DRAWN BY Peng	DATE 2018-12-17
DWG NO ADX-XXBFXC-LL7XXX	CHECKED BY Mafei	DATE 2018-12-17
CUSTOMER ALTW	APPROVED BY Jerry	DATE 2018-12-17