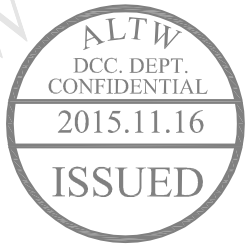
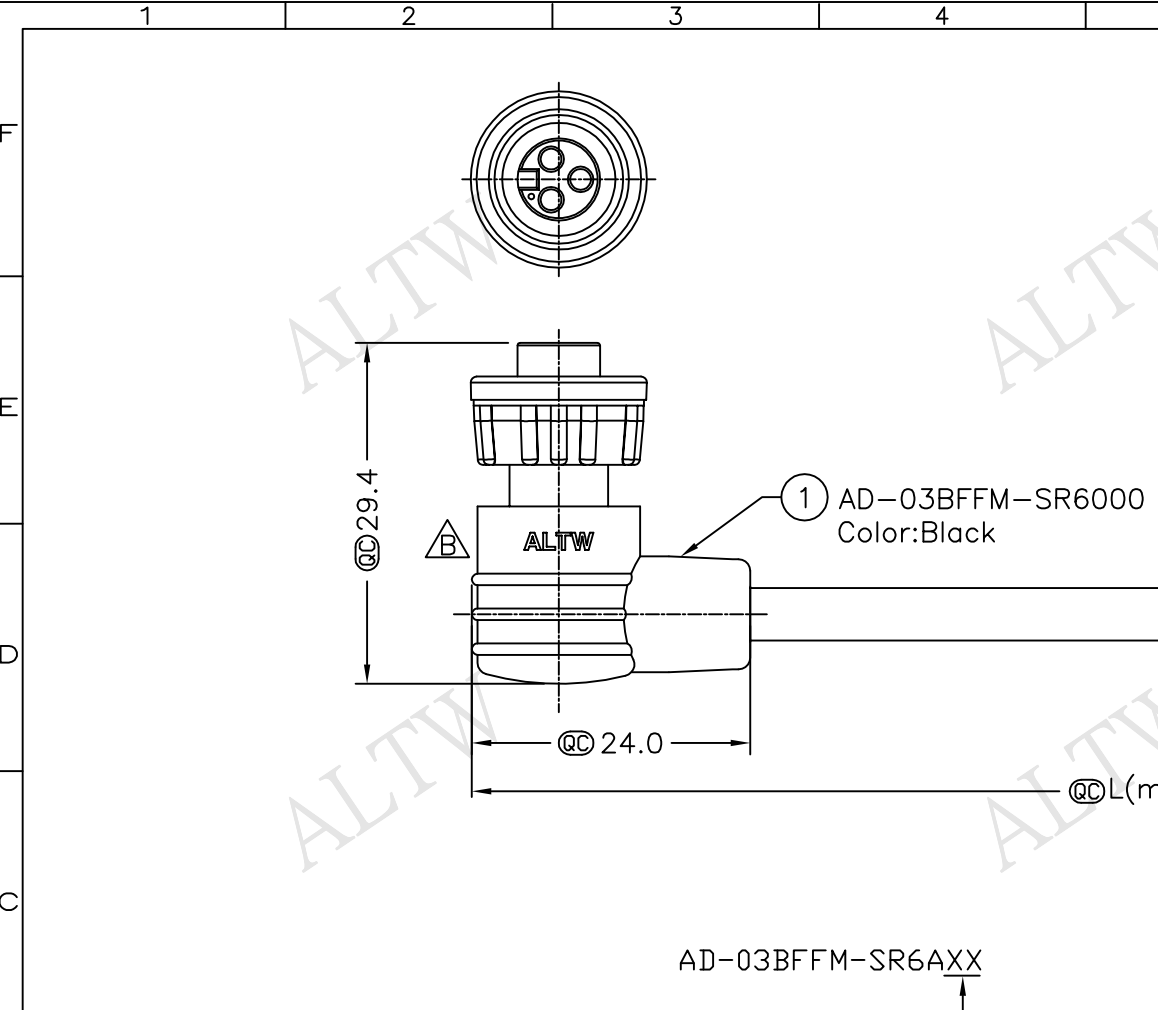
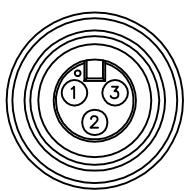


REV.	ECN NO.	DATE	SIGN	DESCRIPTION
B	LEN15B0139~143	2015/11/05	Vicky	Update Logo & Note



AD-03BFFM-SR6AXX  
 XX:01~99Meters  
 01:01Meter  
 02:02Meters  
 ...  
 99:99Meters  
 Cable Length(L):01~99Meters

- Note:
- \*  $\text{QC}$  Important Dimension To Check.
  - \* Waterproof Rate: IP66
  - \* Housing: Nylon+GF, Black
  - \* Female Pin: Copper Alloy, Gold Plated
  - \* Cable: UL2464 24AWG\*3C+Drain+Al/My, Black, PVC Jacket, UV Resistant, OD=4.5mm
  - \* Cable Length Tolerance: 01M:±40mm  
 02M~05M:±60mm  
 06M~10M:±100mm  
 11M~30M:±200mm  
 31M~99M:±500mm



Pin Assignments  
Front View

3	Black	黑
2	Blue	藍
1	Brown	棕
Conn.	Wire Color	
	Pin Out	

UNIT:mm		TITLE	Mini Cable Screw 3Pin F Conn F Pin	Amphenol LTW	ITEM NO	AD-03BFFM-SR6AXX	DRAWN BY	Vicky	DATE	2015/11/05	
TOLERANCE	±0.5mm	SCALE	Free	SHEET	1 OF 1	CUSTOMER	ALTW	CHECKED BY	Rita	DATE	2015/11/05
REV.	B	SIZE	A4	$\text{QC}$	:Inspection Item			APPROVED BY	Lisa	DATE	2015/11/05

THIS DOCUMENT IS SUBJECT TO CHANGE WITHOUT NOTICE. IT IS CONFIDENTIAL AND A PROPERTY OF Amphenol LTW. DISCLOSURE TO THIRD PARTY HAS TO BE AUTHORIZED BY Amphenol LTW.