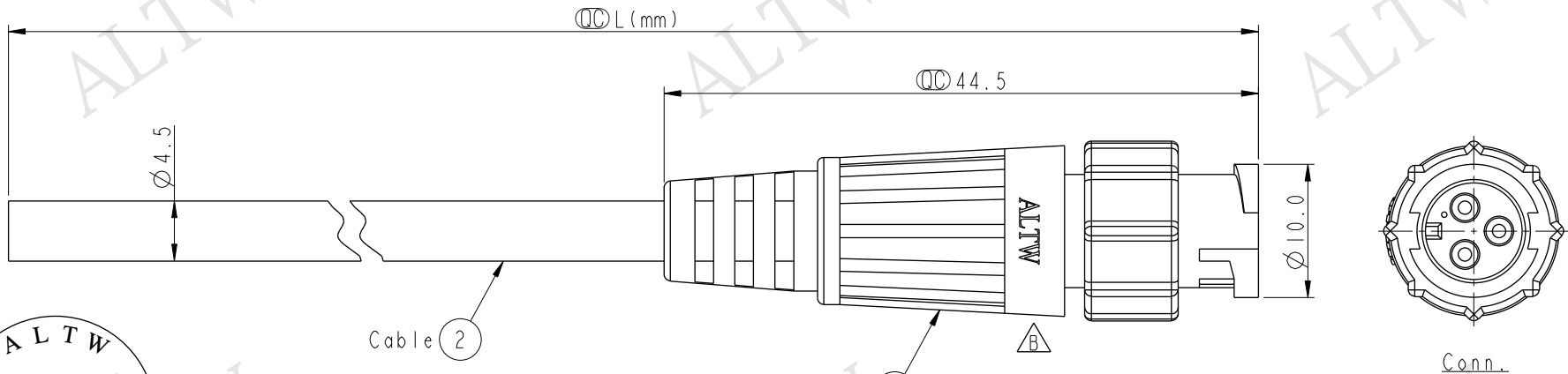
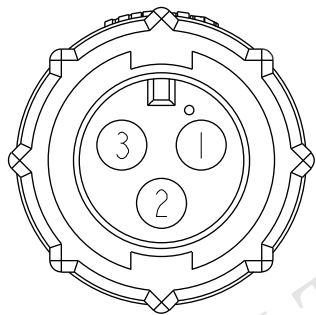


REV.	ECN NO.	DATE	SIGN	DESCRIPTION
B	LEN1530009~012	2015/02/10	Vicky	Update Logo & Note



ALTW  
CONFIDENTIAL  
2015-02-10  
R&D DEPT.

ALTW  
DCC. DEPT.  
CONFIDENTIAL  
2015.03.04  
ISSUED



Pin Assignments  
Front View

3	Black	黑
2	Blue	藍
1	Brown	棕
Conn.	Wire Color	
	Pin Out	

Cable ②

AD-03AMMM-LL6000 ①  
Color: Black

AD-03AMMM-LL6AXX

XX: 01~99Meters  
01: 01Meter  
02: 02Meters  
:  
:  
99: 99Meters  
Cable Length(L): 01~99Meters

- Note:
- \*  $\text{Ⓞ}$  Important Dimension
  - \* Waterproof Rate: IP66
  - \* Connector: Nylon+GF, Black
  - \* Male Pin: Copper Alloy, Gold Plated
  - \* Cable: UL2464 24AWG\*3C+Drain+Al/My, Black, PVC Jacket, UV Resistant, OD4.5mm
  - \* Cable Length Tolerance:  $\text{Ⓐ}$ 
    - 01M:  $\pm 40\text{mm}$
    - 02M~05M:  $\pm 60\text{mm}$
    - 06M~10M:  $\pm 100\text{mm}$
    - 11M~30M:  $\pm 200\text{mm}$
    - 31M~99M:  $\pm 500\text{mm}$

UNIT:mm

TOLERANCE  $\pm 0.5 \text{ mm}$

TITLE Mini Cable Lock 3Pin M Conn M Pin			
SCALE 2:1	SIZE A4	SHEET 1 OF 1	
REV. B	WC-REV. A.1	$\text{Ⓞ}$ : Inspection item	

**Amphenol LTW**  
安費諾亮泰企業股份有限公司

ITEM NO	DRAWN BY Vicky	DATE 2015-02-10
DWG NO AD-03AMMM-LL6AXX	CHECKED BY Rita	DATE 2015-02-10
CUSTOMER ALTW	APPROVED BY Lion	DATE 2015-02-10

THIS DOCUMENT IS SUBJECT TO CHANGE WITHOUT NOTICE. IT IS CONFIDENTIAL AND A PROPERTY OF Amphenol LTW. DISCLOSURE TO THIRD PARTY HAS TO BE AUTHORIZED BY Amphenol LTW.