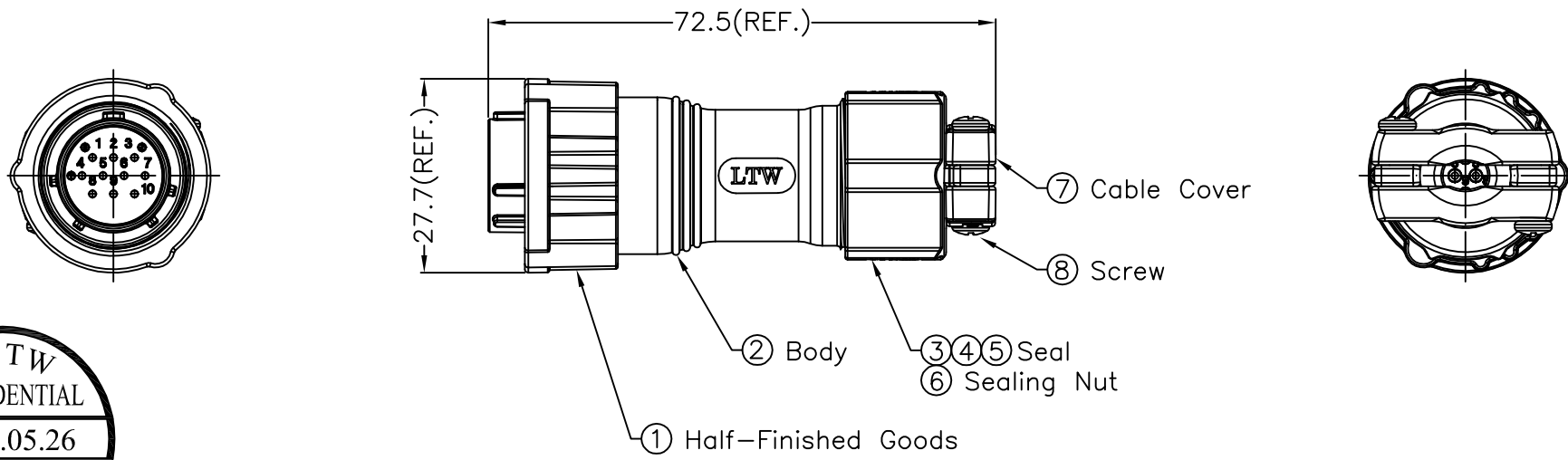
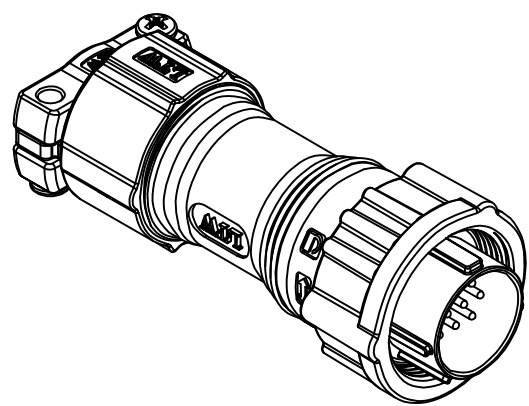


REV.	ECN NO.	DATE	SIGN	DESCRIPTION
A	Initial Release	2010/03/17	Jessie	Form Rev.01 To A
B	LE3-060089	2010/05/26	Jessie	Modify Note and Shell Plated

THIS DOCUMENT IS SUBJECT TO CHANGE WITHOUT NOTICE. IT IS CONFIDENTIAL AND A PROPERTY OF AMPHENOL LTW. DISCLOSURE TO THIRD PARTY HAS TO BE AUTHORIZED BY AMPHENOL LTW.



ALTW
 CONFIDENTIAL
 2010.05.26
 R&D DEPT.



ALTW
 DCC. DEPT.
 CONFIDENTIAL
 2010.06.10
 ISSUED

- Note:
- * @C Important Dimension.
 - * Waterproof Rate: IP68.
 - △ IP68: 1M depth of water in 24 Hrs.
(防水等級: IP68)
IP68: 水深一米測試 24 小時 .
 - * Cable OD: $\phi 5.5\text{mm} \sim \phi 12.5\text{mm}$.
 - * Gasket: Silicone ,Gray.
 - △ * Shell: Zinc Alloy ,Ni Plated ,Silver.
 - * Male Pin: Copper Alloy ,Silver Plated.
 - * Insulation: Nylon ,Black.
 - ⑨ * One Set Assembled in one PE Bag.

UNIT:mm		TITLE Circular II Series 10 Pin Assy		Amphenol LTW		ITEM NO LD20-10BFMA-SL8001	DRAWN BY Jessie	DATE 2010/05/26
TOLERANCE .X ±0.25 .XX ±0.1 .XXX ±0.05 ANGLES ±1°		SCALE Free	SHEET 1 OF 1	安費諾亮泰企業股份有限公司		DWG NO LD20-10BFMA-SL8001	CHECKED BY Jimmy	DATE 2010/05/27
REV. B	SIZE A4	QC :Inspection Item		CUSTOMER ALTW		APPROVED BY Win		DATE 2010/06/01