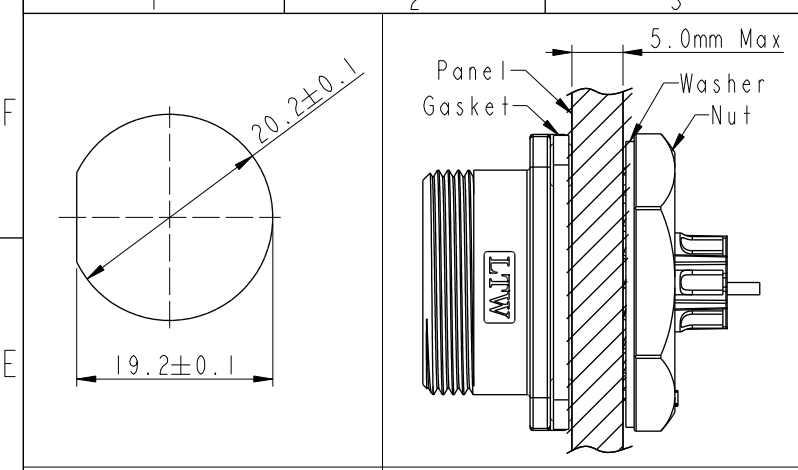
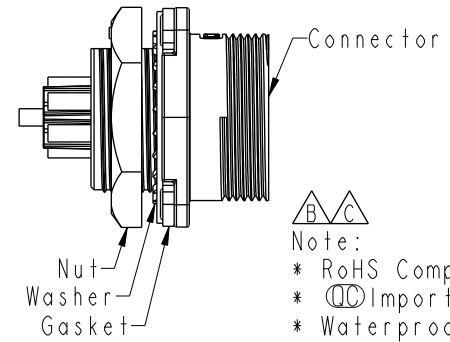
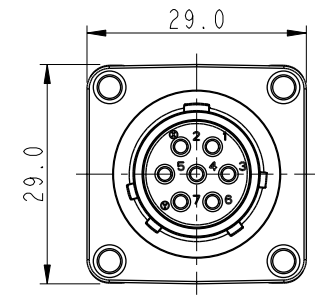
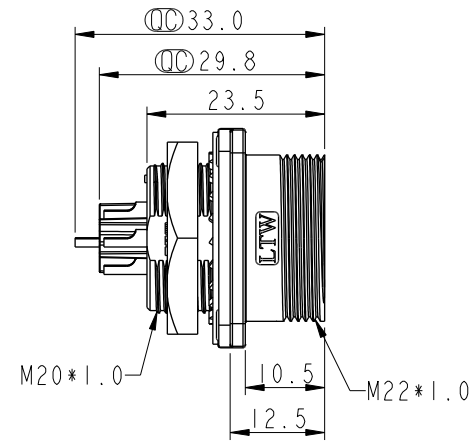
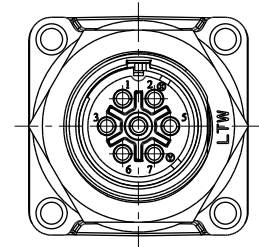


THIS DOCUMENT IS SUBJECT TO CHANGE WITHOUT NOTICE. IT IS CONFIDENTIAL AND A PROPERTY OF AMPHENOL LTW. DISCLOSURE TO THIRD PARTY HAS TO BE AUTHORIZED BY AMPHENOL LTW.

| REV. | ECN NO. | DATE | SIGN | DESCRIPTION |
|------|-----------------|------------|-------|--|
| A | Initial Release | 2012/10/19 | Ruru | LB20-07RMFS-SS8001 To LB20-07PMFS-SN8001 |
| B | LE31650227 | 2016/05/04 | Vicky | Update Note |
| C | C210669 | 2021/04/29 | Vicky | △ X5 |



Recommend Panel Cut-Out Assembly Instruction



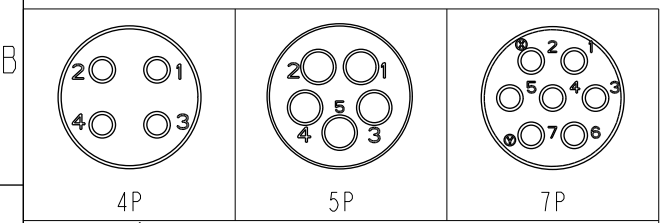
△ B △ C

Note:

- * RoHS Compliant
- * ⌀ Important dimension
- * Waterproof rate: IPX8, unmated 1m/24h
- * Connector
- Housing: Thermoplastic, Black
- Pin: Copper alloy, Silver plated
- Gasket: Rubber, Gray
- Shield: Metal
- * Nut: Metal
- * Washer: Metal
- * Gasket: Rubber, Gray
- * For panel thickness max: 5.0mm
- * Gasket, nut and washer are packed separately in pe bag

△ LB20-XXPMFS-SN8001

XX: No. Of Pin



△ Pin Assignments Front View

| | | | |
|------------|----------|--|--|
| UNIT: mm | | | TITLE O SEN, M20 48H, 10A RECEPTACLE, M, F, SOLDER |
| TOLERANCE | .X ±0.25 | | SCALE 1:1 |
| .XX ±0.1 | | | SIZE A4 |
| .XXX ±0.05 | | | SHEET 1 OF 1 |
| ANGLES ±1° | | | REV. C |
| | | | WC-REV. A.1 |
| | | | ⌀: Inspection item |

Amphenol LTW
安費諾亮泰企業股份有限公司

| | | |
|----------------------|-------------|------------|
| ITEM NO. | DRAWN BY | DATE |
| | Vicky | 2016-05-04 |
| DWG NO. | CHECKED BY | DATE |
| △ LB20-XXPMFS-SN8001 | Rita | 2016-05-04 |
| CUSTOMER | APPROVED BY | DATE |
| ALTW | Lisa | 2016-05-04 |