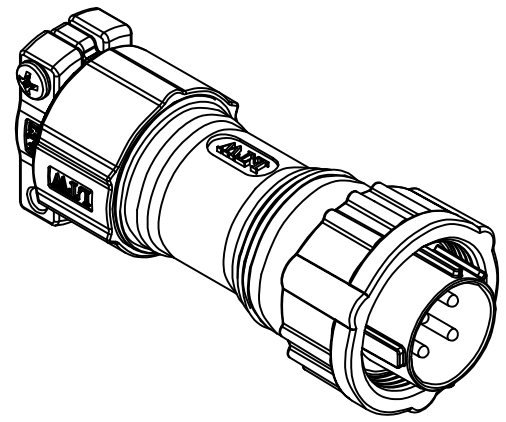
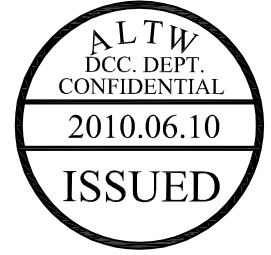
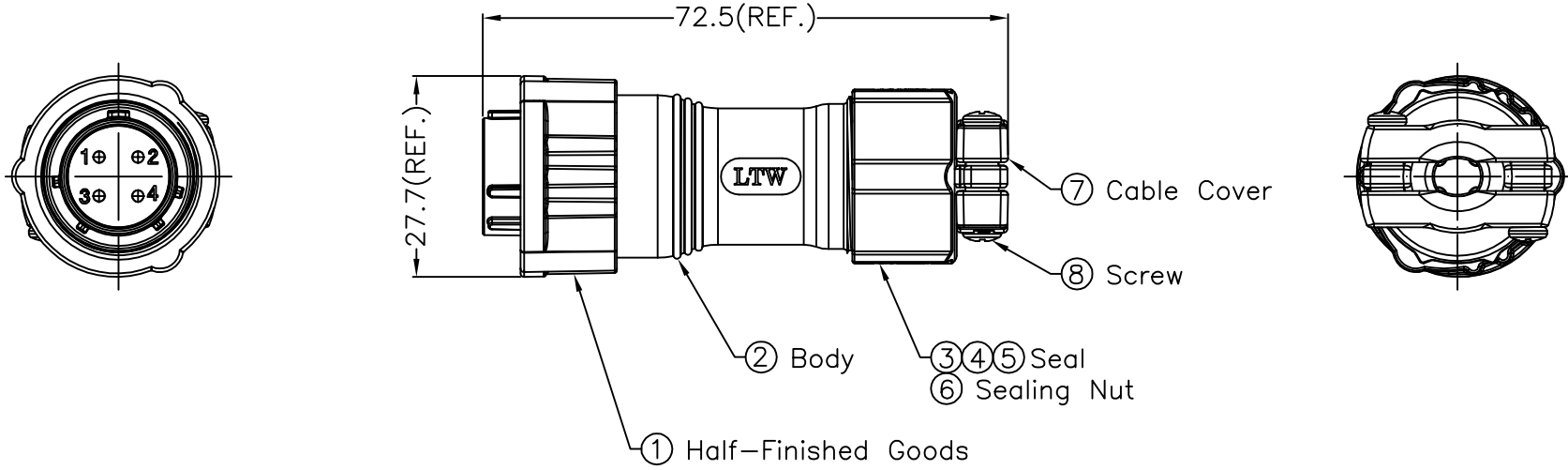


| REV. | ECN NO. | DATE | SIGN | DESCRIPTION |
|------|-----------------|------------|--------|------------------------------|
| A | Initial Release | 2010/01/19 | Jessie | Form Rev.02 To A |
| B | LEN-040145 | 2010/04/16 | Jessie | Modify Pin Plated |
| C | LE3-060084 | 2010/05/25 | Jessie | Modify Note and Shell Plated |



Note:

- * Ⓞ Important Dimension.
- * Waterproof Rate: IP68.
- △ IP68: 1M depth of water in 24 Hrs. (防水等級: IP68)
IP68: 水深一米測試 24 小時 .
- * Cable OD: $\phi 5.5\text{mm} \sim \phi 12.5\text{mm}$.
- * Gasket: Silicone ,Gray.
- △ * Shell: Zinc Alloy ,Ni Plated ,Silver.
- △ * Male Pin: Copper Alloy ,Silver Plated.
- * Insulation: Nylon ,Black.
- △ ⑨ * One Set Assembled in one PE Bag.

| | |
|-----------|---------------|
| UNIT:mm | |
| TOLERANCE | |
| .X | ± 0.25 |
| .XX | ± 0.1 |
| .XXX | ± 0.05 |
| ANGLES | $\pm 1^\circ$ |

| | |
|-------------------------------|---------|
| TITLE | |
| Circular II Series 4 Pin Assy | |
| SCALE | SHEET |
| Free | 1 OF 1 |
| REV. C | SIZE A4 |
| Ⓞ :Inspection Item | |

Amphenol LTW
安費諾亮泰企業股份有限公司

| | |
|----------|--------------------|
| ITEM NO | LB20-04BFMA-SL8001 |
| DWG NO | LB20-04BFMA-SL8001 |
| CUSTOMER | ALTW |

| | |
|-------------|--------|
| DRAWN BY | Jessie |
| CHECKED BY | Jimmy |
| APPROVED BY | Win |

| | |
|------|------------|
| DATE | 2010/05/25 |
| DATE | 2010/05/27 |
| DATE | 2010/06/01 |

THIS DOCUMENT IS SUBJECT TO CHANGE WITHOUT NOTICE. IT IS CONFIDENTIAL AND A PROPERTY OF Amphenol LTW. DISCLOSURE TO THIRD PARTY HAS TO BE AUTHORIZED BY Amphenol LTW.