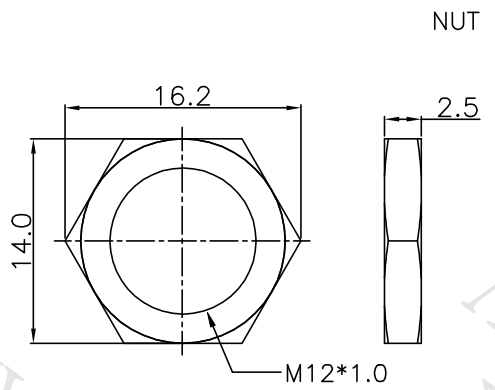
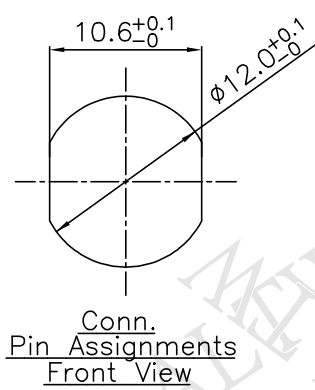
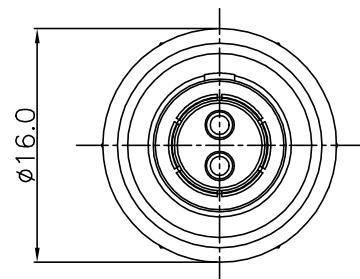
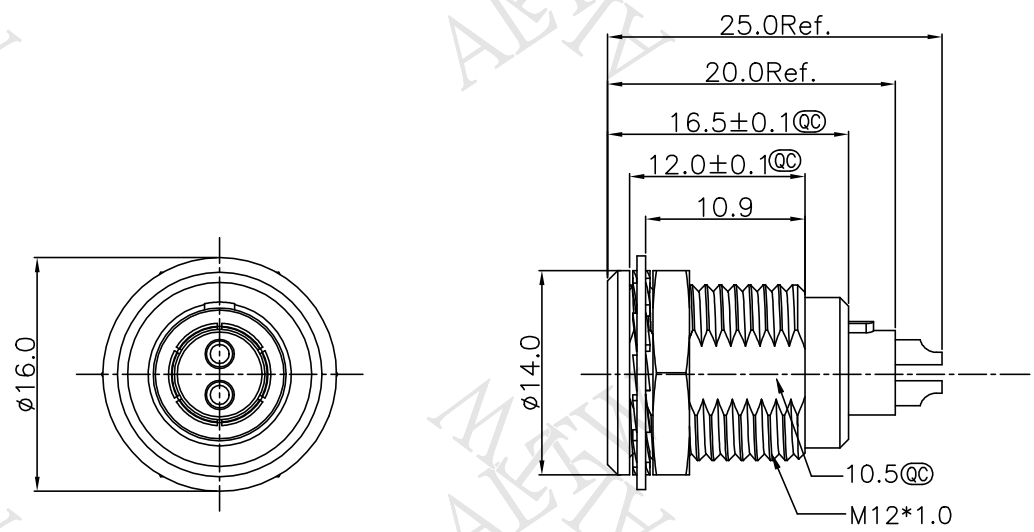
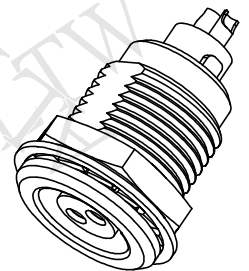


REV.	DESCRIPTION
B	Change Number
C	Change PIN Number

THIS DOCUMENT IS SUBJECT TO CHANGE WITHOUT NOTICE. IT IS CONFIDENTIAL AND A PROPERTY OF Amphenol LTW. DISCLOSURE TO THIRD PARTY HAS TO BE AUTHORIZED BY Amphenol LTW.



Notes:
 * @@ Important Dimensions To Check.
 * Female Pin: Copper Alloy, Gold Plated.
 * Use Panel Thickness Max: 7.0mm



UNIT:mm TOLERANCE ±0.5MM	TITLE FLO 1B PANEL CONNECTOR		Amphenol LTW 安費諾亮泰企業股份有限公司	ITEM NO	DRAWN BY Ouyang	DATE 2019/04/26
	SCALE Free	SHEET 1 OF 2		DWG NO FLBC-XXEGFS-XCP-XXX	CHECKED BY Mafei	DATE 2019/04/26
REV. C	SIZE A4	QC : Inspection Item	CUSTOMER ALTW	APPROVED BY Jerry	DATE 2019/04/26	

THIS DOCUMENT IS SUBJECT TO CHANGE WITHOUT NOTICE. IT IS CONFIDENTIAL AND A PROPERTY OF Amphenol LTW. DISCLOSURE TO THIRD PARTY HAS TO BE AUTHORIZED BY Amphenol LTW.

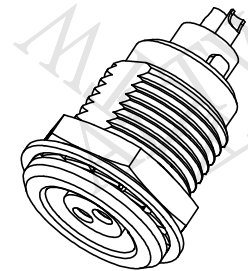
FLBC-XXEGFS-XCP-XXX

SERIAL NO.

KEY POINT ①

PIN CONFIGURATION ②

SIZE(CONNECTOR)



KEY POINT ①

CODE	G	A	B	C	J	F
	0°	30°	60°	90°	45°	155°
GRAPHIC						

PIN CONFIGURATION (Solder Definition) ②



GRAPHIC	2 PIN	3 PIN	4 PIN	5 PIN	6 PIN	7 PIN	8 PIN	10 PIN	14 PIN	16 PIN

UNIT:mm TOLERANCE ±0.5MM		TITLE FLO 1B PANEL CONNECTOR		Amphenol LTW 安費諾亮泰企業股份有限公司	ITEM NO B	DRAWN BY Ouyang	DATE 2019/04/26
		SCALE Free	SHEET 2 OF 2		DWG NO FLBC-XXEGFS-XCP-XXX	CHECKED BY Mafei	DATE 2019/04/26
		REV. C	SIZE A4		QC :Inspection Item	CUSTOMER ALTW	APPROVED BY Jerry