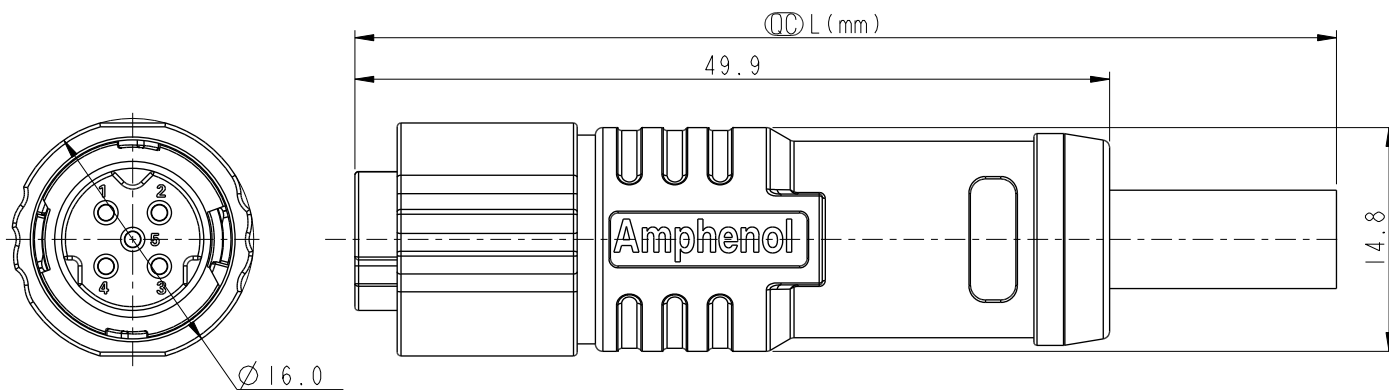


THIS DOCUMENT IS SUBJECT TO CHANGE WITHOUT NOTICE. IT IS CONFIDENTIAL AND A PROPERTY OF Amphenol LTW. DISCLOSURE TO THIRD PARTY HAS TO BE AUTHORIZED BY Amphenol LTW.

5P	PVC	6.5	20	ASD-05BFFM-QL8CXX
Contacts	Cable Jacket	Cable OD	AWG	Item No.

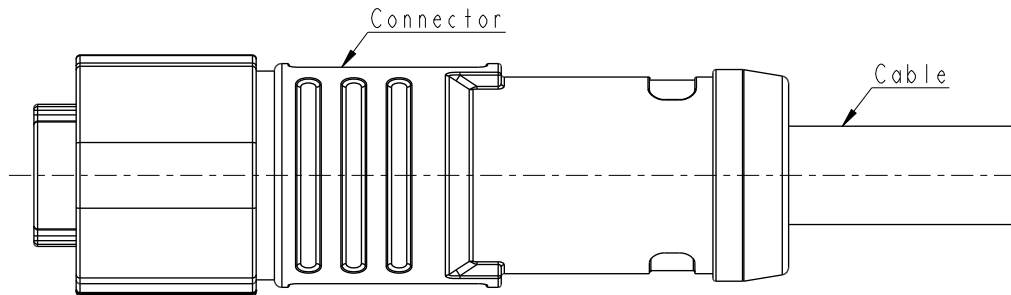
REV.	ECN NO.	DATE	SIGN	DESCRIPTION
A		2022-02-23	Jiahe Lin	Rev.01 to A, Initial Released



ASD-XXBFFM-QL8CXX

- XX: L=0~99Meters
- 01: L=1Meters
- 02: L=2Meters
- ⋮
- 99: L=99Meters

XX: No. Of Pin

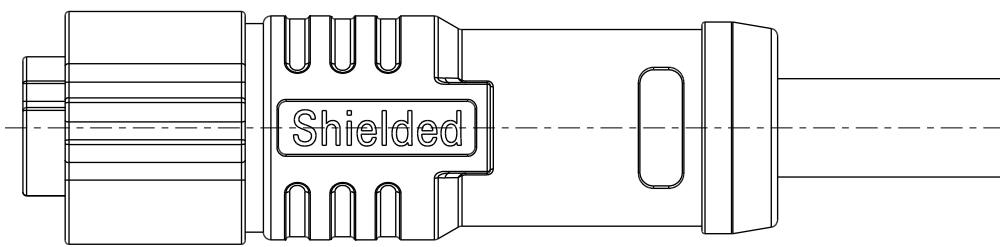


Note:

- \* RoHS Compliant
- \*  $\varnothing$  Important dimension
- \* Waterproof rate: IPX8, mated 1m/24h
- \* Connector
- Housing: Thermoplastic, Black
- Pin: Copper alloy, Gold plated
- Shield: Metal
- Nut: Metal
- Outer mold: Thermoplastic, Black
- \* Cable: UL2517, PVC Jacket, Black
- \* Cable length tolerance:

1M < L ≤ 3M:	+100/-0 mm
3M < L ≤ 5M:	+150/-0 mm
5M < L ≤ 10M:	±100 mm
10M < L ≤ 20M:	±200 mm
20M < L ≤ 30M:	±300 mm
30M < L ≤ 99M:	±500 mm

Shield Braid	編織
5 Yellow	黃
4 Orange	橘
3 Red	紅
2 Brown	棕
1 Black	黑
Pin #	Wire
5P	
Pin Assignments Front View	



UNIT: mm	$\varnothing$	
TOLERANCE		
±0.5mm		

TITLE XLOK, A SHLD-5A, 05P, CABLE W/O SR			
SCALE 2:1	SIZE A4	SHEET 1 OF 1	
REV. A	WC-REV.	$\varnothing$ : Inspection item	

**Amphenol LTW**  
安費諾亮泰企業股份有限公司

ITEM NO.	DRAWN BY Jiahe Lin	DATE 2022-02-23
DWG NO. ASD-XXBFFM-QL8CXX	CHECKED BY Allen Pan	DATE 2022-02-23
CUSTOMER ALTW	APPROVED BY Fred Lee	DATE 2022-02-23