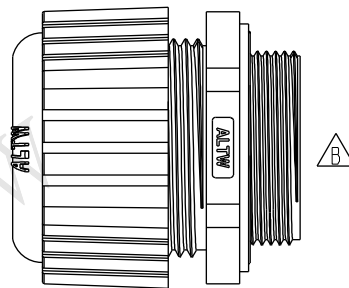
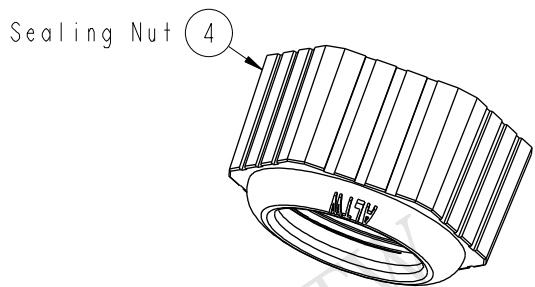
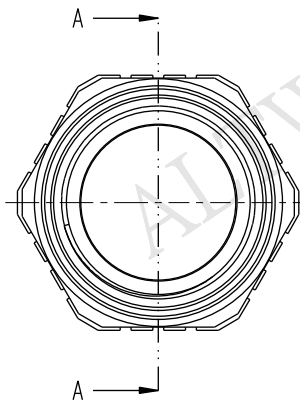
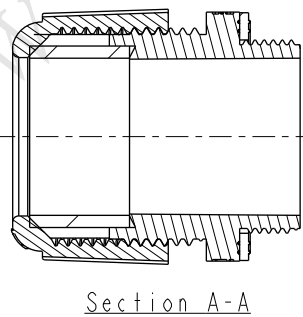
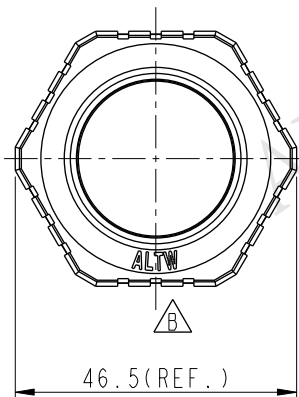
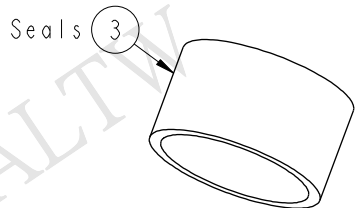
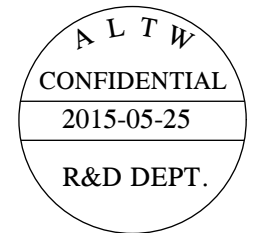
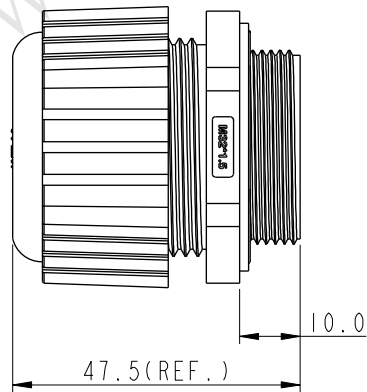
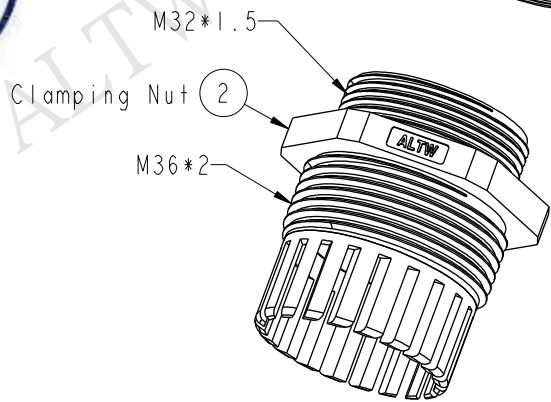
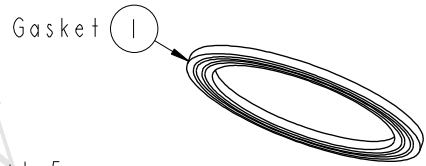




REV.	ECN NO.	DATE	SIGN	DESCRIPTION
B	LEN1560403	2015/05/25	Ruru	Change Logo



- Note:
- \* Waterproof Rate: IP68
  - \* Clamp Ring: Nylon, Black
  - \* Sealing Nut: Nylon, Black
  - \* Gasket: EPDM, Black
  - \* Seals: EPDM, Black
  - \* Cable Range:  $\varnothing 18 \sim \varnothing 25 \text{mm}$
  - \* Spanner Size:  
Body: 41.0mm  
Sealing Nut: 42.2mm

UNIT: mm		
TOLERANCE	.X	$\pm 0.25$
	.XX	$\pm 0.1$
	.XXX	$\pm 0.05$
ANGLES		$\pm 1^\circ$

TITLE Cable Gland Assembly(M32*1.5 - Short Type)			
SCALE 4:5	SIZE A4	SHEET 1 OF 1	
REV. B	WC-REV. A.1	QC: Inspection item	

**Amphenol LTW**  
安費諾亮泰企業股份有限公司

ITEM NO CSG-32M007	DRAWN BY Ruru	DATE 2015-05-25
DWG NO CSG-32M007	CHECKED BY Rita	DATE 2015-05-25
CUSTOMER ALTW	APPROVED BY Lion	DATE 2015-05-25

THIS DOCUMENT IS SUBJECT TO CHANGE WITHOUT NOTICE. IT IS CONFIDENTIAL AND A PROPERTY OF AMPHENOL LTW. DISCLOSURE TO THIRD PARTY HAS TO BE AUTHORIZED BY AMPHENOL LTW.