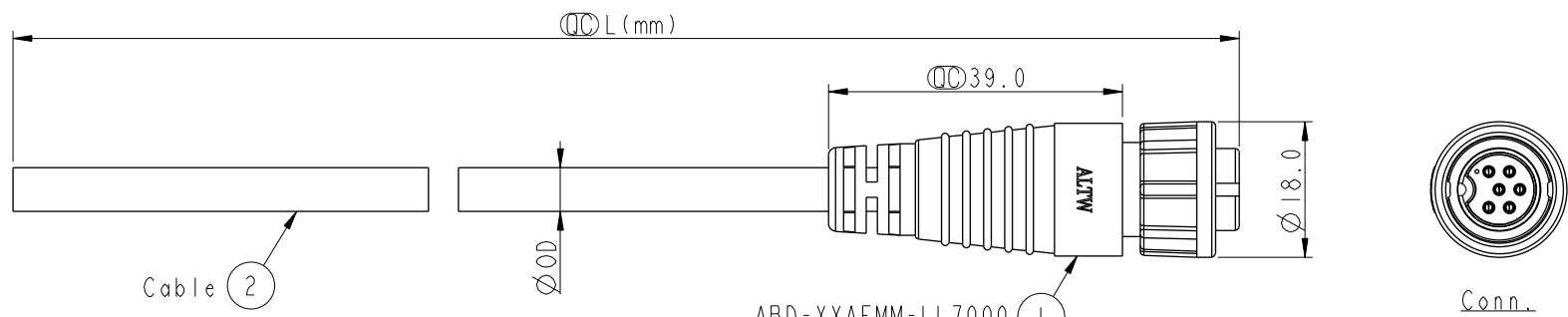


THIS DOCUMENT IS SUBJECT TO CHANGE WITHOUT NOTICE. IT IS CONFIDENTIAL AND A PROPERTY OF Amphenol LTW. DISCLOSURE TO THIRD PARTY HAS TO BE AUTHORIZED BY Amphenol LTW.

REV.	ECN NO.	DATE	SIGN	DESCRIPTION



ABD-XXAFMM-LL7000
Color: Black

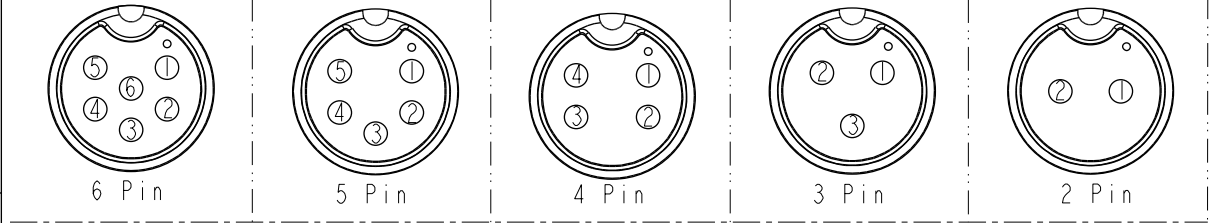
6P	PVC	5.8	24	ABD-06AFMM-LL7AXX
5P		5.0		ABD-05AFMM-LL7AXX
4P		5.8		ABD-04AFMM-LL7AXX
3P		4.5		ABD-03AFMM-LL7AXX
2P		4.2		ABD-02AFMM-LL7AXX
Contacts	Cable Jacket	Cable OD	AWG	Item No.

ABD-XXAFMM-LL7AXX
02: 2Pin
:
06: 6Pin
XX : 01~99Meters
01 : 01Meter
02 : 02Meters
:
99 : 99Meters

Cable Length(L): 01~99Meters

6 White 白	5 Green 綠	4 Yellow 黃	3 Black 黑	2 Red 紅
5 Red 紅	4 White 白	3 Red 紅	2 Blue 藍	1 Black 黑
4 Orange 橙	3 Black 黑	2 Green 綠	1 Brown 棕	
3 Yellow 黃	2 Blue 藍	1 White 白		
2 Green 綠	1 Brown 棕			
1 Blue 藍				
Pin # Wire	Pin # Wire	Pin # Wire	Pin # Wire	Pin # Wire

Pin Out



Pin Assignments Front View

- Note:
- * \varnothing Important Dimension To Check.
 - * Waterproof Rate: IP67
 - * Housing: Nylon+GF, Black.
 - * Male Pin: Copper Alloy, Gold Plated.
 - * Cable: UL2464 24AWG+D+AL/Wy
PVC Jacket UV Resistant, Black.
 - * Cable Length Tolerance: 01M: 40mm
02M~05M: ±60mm
06M~10M: ±100mm
11M~30M: ±200mm
31M~99M: ±500mm

UNIT: mm		TITLE
TOLERANCE	±0.5mm	STANDARD CABLE LOCK F CONN M PIN
SCALE	1:2	SIZE A4
REV.	A	WC-REV. A.1
		\varnothing : Inspection item

Amphenol LTW
安費諾亮泰企業股份有限公司

ITEM NO	DRAWN BY	DATE
	Ruru	2017-07-06
DWG NO	CHECKED BY	DATE
ABD-XXAFMM-LL7AXX	Rita	2017-07-06
CUSTOMER	APPROVED BY	DATE
ALTW	Max	2017-07-06