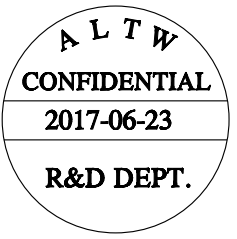
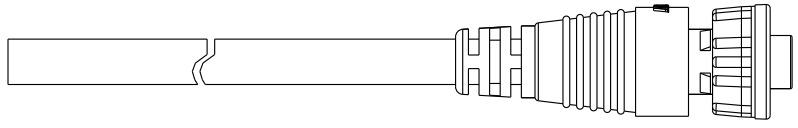
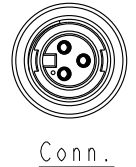
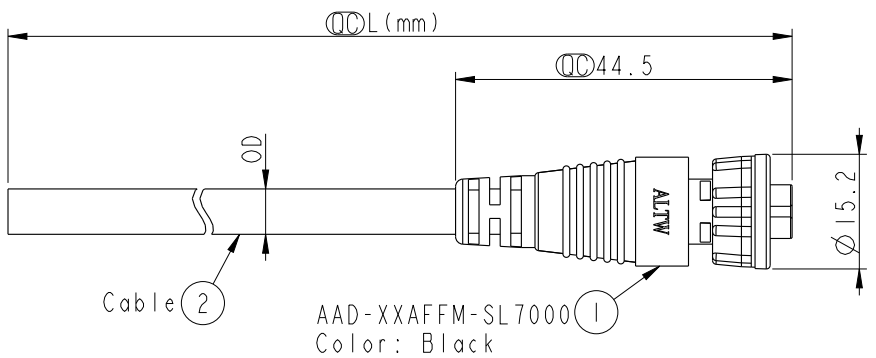


THIS DOCUMENT IS SUBJECT TO CHANGE WITHOUT NOTICE. IT IS CONFIDENTIAL AND A PROPERTY OF AMPHENOL LTW. DISCLOSURE TO THIRD PARTY HAS TO BE AUTHORIZED BY AMPHENOL LTW.

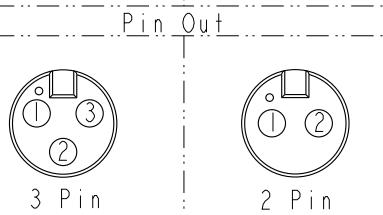
REV.	ECN NO.	DATE	SIGN	DESCRIPTION
A	Initial Release	2017/06/23	Mafei	Change Revision From 01 To A



AAD-XXAFFM-SL7AXX

02: 2Pin	XX : 01~99Meters
03: 3Pin	01 : 01Meter
	02 : 02Meters
	...
	99 : 99Meters

3 Black	2 Red
2 Blue	1 Black
1 Brown	
Pin # Wire	Pin # Wire



3P	PVC	4.5	24	AAD-03AFFM-SL7AXX
2P		4.2		AAD-02AFFM-SL7AXX
Contacts	Cable Jacket	Cable OD	AWG	Item No.

Note:

- * \varnothing Important Dimension To Check.
- * Waterproof Rate: IP67
- * Housing: Nylon+GF, Black.
- * Female Pin: Copper Alloy, Gold Plated.
- * Cable: UL2464 24AWG+D+AL/Wy PVC Jacket UV Resistant, Black.
- * Cable Length Tolerance: 01M: 40mm
02M~05M: ±60mm
06M~10M: ±100mm
11M~30M: ±200mm
31M~99M: ±500mm

UNIT: mm

TOLERANCE ±0.50mm

TITLE MINI CABLE SCREW F CONN F PIN			
SCALE 1:1	SIZE A4	SHEET 1 OF 1	
REV. A	WC-REV. A.1	\varnothing : Inspection item	

Amphenol LTW
安費諾亮泰企業股份有限公司

ITEM NO.	DRAWN BY Mafei	DATE 2017-06-23
DWG NO. AAD-XXAFFM-SL7AXX	CHECKED BY Jerry	DATE 2017-06-23
CUSTOMER ALTW	APPROVED BY Max	DATE 2017-06-23