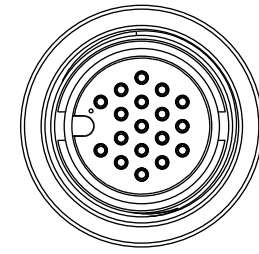
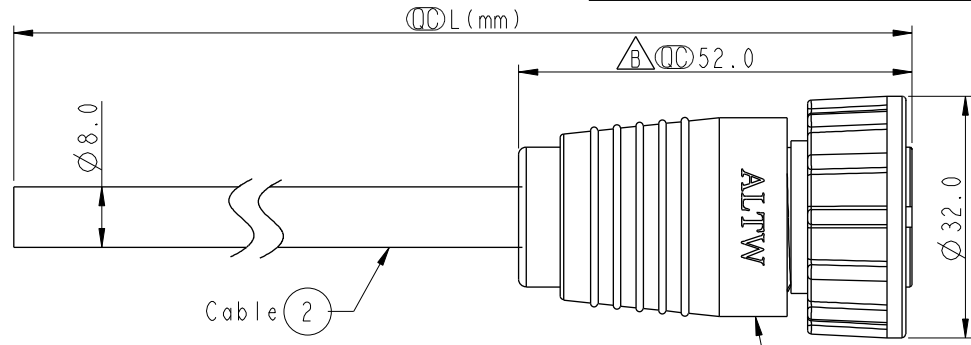
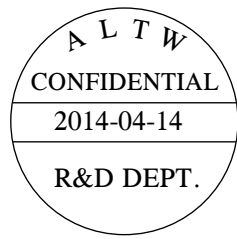


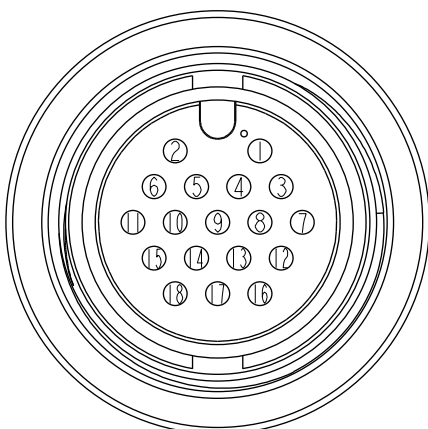
REV.	ECN NO.	DATE	SIGN	DESCRIPTION
B	LEN1440200	2014/04/14	Vicky	Modify Dimension



Conn.



18	Blue/White	藍/白
17	Green/White	綠/白
16	Orange/White	橘/白
15	Red/White	紅/白
14	Brown/White	棕/白
13	Black/White	黑/白
12	Light Green	淺綠
11	Purple	紫
10	Orange	橘
9	Black	黑
8	Red	紅
7	Pink	粉紅
6	Gray	灰
5	Yellow	黃
4	Green	綠
3	White	白
2	Blue	藍
1	Brown	棕
Conn.	Wire Color	Pin Out



Pin Assignments Front View

① IDD-18BFFM-SL6000
Color: Black

IDD-18BFFM-SL6AXX

XX : 01~99Meters
01 : 01Meter
02 : 02Meters
:
99 : 99Meters

Cable Length(L): 01~99Meters

Note:
 * Ⓞ Important Dimension To Check.
 * Waterproof Rate: IP66
 * Housing: Nylon+GF, Black.
 * Female Pin: Copper Alloy, Gold Plated.
 * Screw Nut: Nylon+GF, Black.
 * O-Ring: Silicone, Gray.
 * Cable: UL2464 24AWG*18C+D+AL/My, PVC Jacket, UV Resistant, OD=8.0mm, Black.
 * Cable Length Tolerance: 01M:±40mm
 02M~05M:±60mm
 06M~10M:±100mm
 11M~30M:±200mm
 31M~99M:±500mm

UNIT:mm	
TOLERANCE	±0.5 mm

TITLE Large CNC Pin Cable Screw 18Pin F Conn F Pin			
SCALE 1:1	SIZE A4	SHEET 1 OF 1	
REV. B	WC-REV. A.1	Ⓞ: Inspection item	

Amphenol LTW
安費諾亮泰企業股份有限公司

ITEM NO	DRAWN BY Vicky	DATE 2014-04-14
DWG NO IDD-18BFFM-SL6AXX	CHECKED BY Ruru	DATE 2014-04-14
CUSTOMER ALTW	APPROVED BY Victor	DATE 2014-04-14

THIS DOCUMENT IS SUBJECT TO CHANGE WITHOUT NOTICE. IT IS CONFIDENTIAL AND A PROPERTY OF Amphenol LTW. DISCLOSURE TO THIRD PARTY HAS TO BE AUTHORIZED BY Amphenol LTW.