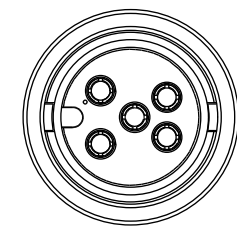
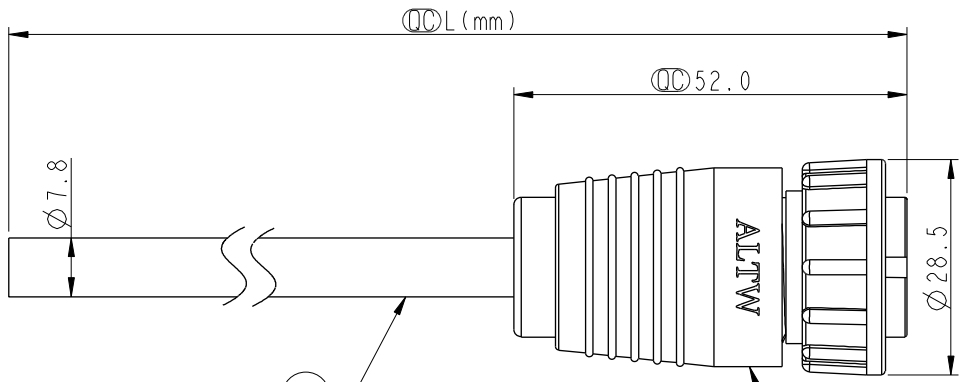


THIS DOCUMENT IS SUBJECT TO CHANGE WITHOUT NOTICE. IT IS CONFIDENTIAL AND A PROPERTY OF Amphenol LTW. DISCLOSURE TO THIRD PARTY HAS TO BE AUTHORIZED BY Amphenol LTW.

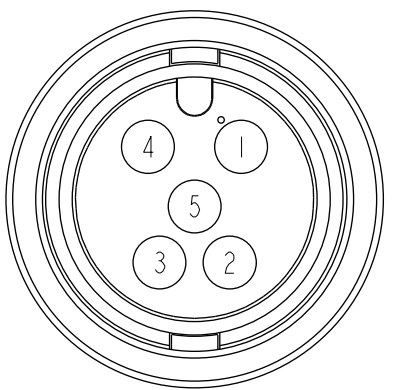
REV.	ECN NO.	DATE	SIGN	DESCRIPTION



Conn.

ALTW
CONFIDENTIAL
2014-01-16
R&D DEPT.

ALTW
DCC. DEPT.
CONFIDENTIAL
2014.01.17
ISSUED



Pin Assignments
Front View

5	White	白
4	Brown	棕
3	Blue	藍
2	Black	黑
1	Red	紅
Conn.	Wire Color	
	Pin Out	

IDC-05BFFM-LL6AXX

- XX : 01~99Meters
- 01 : 01Meter
- 02 : 02Meters
- ...
- 99 : 99Meters

Cable Length(L): 01~99Meters

- Note:
- * \varnothing Important Dimension To Check.
 - * Waterproof Rate: IP66
 - * Housing: Nylon+GF, Black.
 - * Female Pin: Copper Alloy, Gold Plated.
 - * Lock Nut: Nylon+GF, Black.
 - * O-Ring: Silicone, Gray.
 - * Cable: UL2464 16AWG*5C+Talcum, PVC Jacket, UV Resistant, OD=7.8mm, Black.
 - * Cable Length Tolerance:
 - 01M: ±40mm
 - 02M~05M: ±60mm
 - 06M~10M: ±100mm
 - 11M~30M: ±200mm
 - 31M~99M: ±500mm

UNIT:mm	
TOLERANCE	±0.5 mm

TITLE Large CNC Pin Cable Lock 5Pin F Conn F Pin			
SCALE 1:1	SIZE A4	SHEET 1 OF 1	
REV. A	WC-REV. A.1	\varnothing : Inspection item	

Amphenol LTW
安費諾亮泰企業股份有限公司

ITEM NO	DRAWN BY Vicky	DATE 2014-01-16
DWG NO IDC-05BFFM-LL6AXX	CHECKED BY Ruru	DATE 2014-01-16
CUSTOMER ALTW	APPROVED BY Victor	DATE 2014-01-16