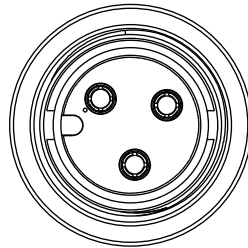
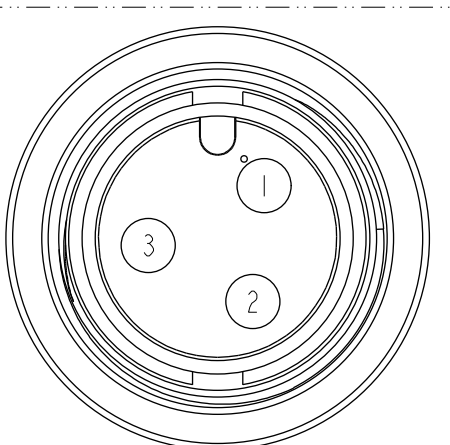
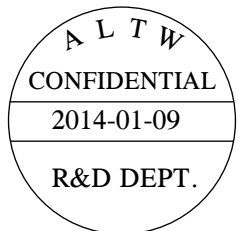
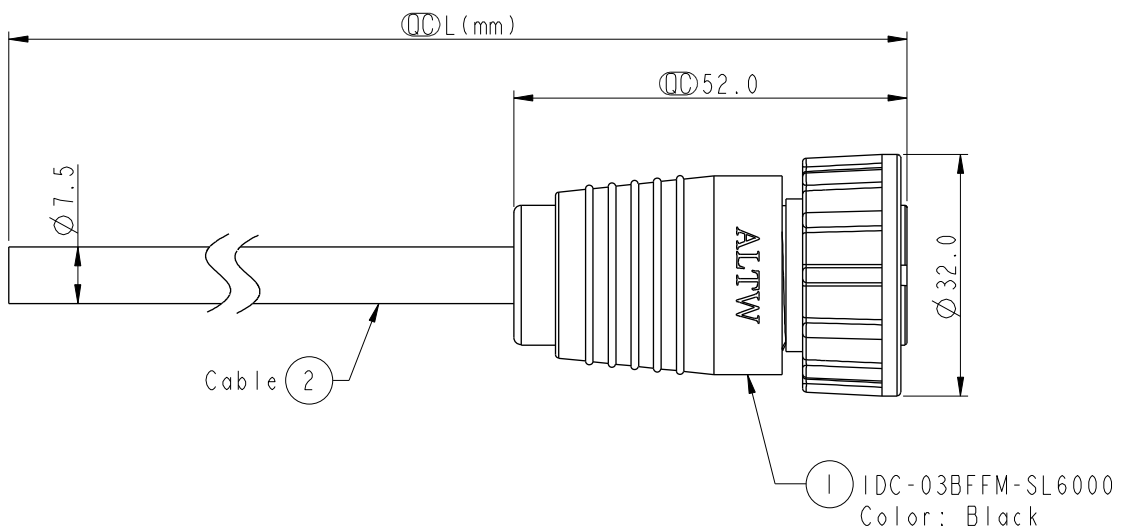


REV.	ECN NO.	DATE	SIGN	DESCRIPTION



Conn.



Pin Assignments Front View

3	Black	黑
2	Blue	藍
1	Brown	棕
Conn.	Wire Color	
Pin Out		

IDC-03BFFM-SL6AXX
 XX : 01~99Meters
 01 : 01Meter
 02 : 02Meters
 ...
 99 : 99Meters
 Cable Length(L): 01~99Meters

- Note:
- * ϕ Important Dimension To Check.
 - * Waterproof Rate: IP66
 - * Housing: Nylon+GF, Black.
 - * Female Pin: Copper Alloy, Gold Plated.
 - * Screw Nut: Nylon+GF, Black.
 - * O-Ring: Silicone, Gray.
 - * Cable: UL2464 16AWG*3C+D+AL/My, PVC Jacket, UV Resistant, OD=7.5mm, Black.
 - * Cable Length Tolerance: 01M:±40mm
 02M~05M:±60mm
 06M~10M:±100mm
 11M~30M:±200mm
 31M~99M:±500mm

UNIT:mm TOLERANCE ±0.5 mm

TITLE Large CNC Pin Cable Screw 3Pin F Conn F Pin			
SCALE 1:1	SIZE A4	SHEET 1 OF 1	
REV. A	WC-REV. A.1	QC: Inspection item	

Amphenol LTW
 安費諾亮泰企業股份有限公司

ITEM NO	DRAWN BY Vicky	DATE 2014-01-09
DWG NO IDC-03BFFM-SL6AXX	CHECKED BY Ruru	DATE 2014-01-09
CUSTOMER ALTW	APPROVED BY Victor	DATE 2014-01-09

THIS DOCUMENT IS SUBJECT TO CHANGE WITHOUT NOTICE. IT IS CONFIDENTIAL AND A PROPERTY OF Amphenol LTW. DISCLOSURE TO THIRD PARTY HAS TO BE AUTHORIZED BY Amphenol LTW.