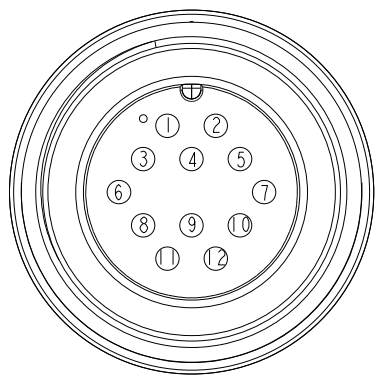
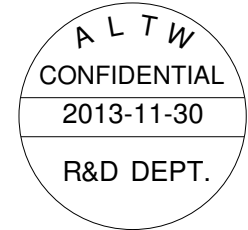
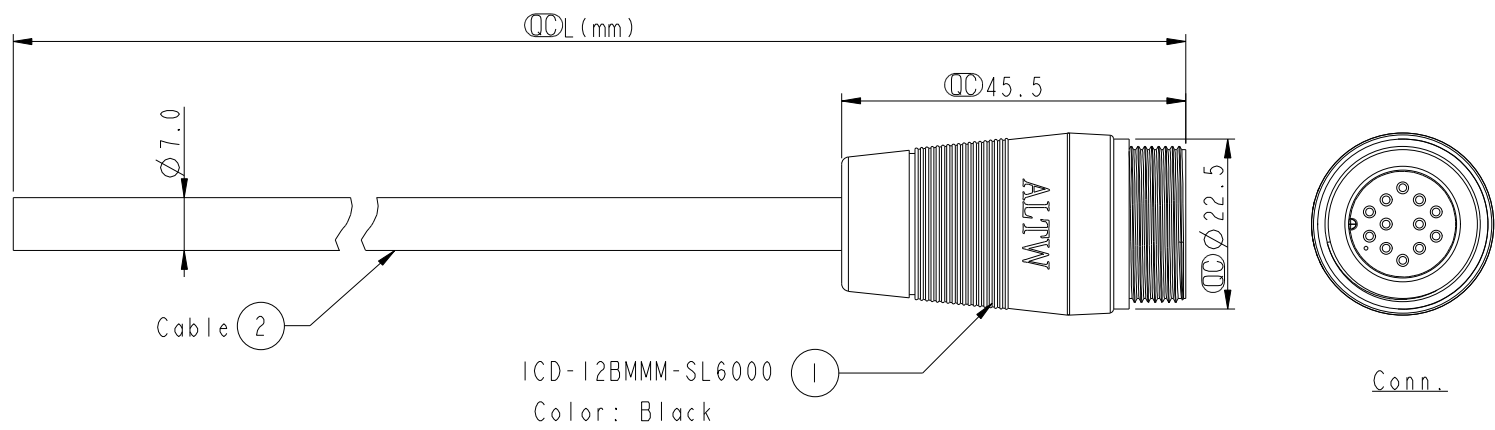


REV.	ECN NO.	DATE	SIGN	DESCRIPTION



Pin Assignments  
Front View

12	Light Green	淺綠
11	Purple	紫
10	Orange	橙
9	Black	黑
8	Red	紅
7	Pink	粉紅
6	Gray	灰
5	Yellow	黃
4	Green	綠
3	White	白
2	Blue	藍
1	Brown	棕
Conn.	Wire Color	
Pin Out		

ICD-12BMMM-SL6AXX

- XX : 01~99Meters
- 01 : 01Meter
- 02 : 02Meters
- ...
- 99 : 99Meters

Cable Length(L): 01~99Meters

Note:

- \*  $\varnothing$  Important Dimension To Check.
- \* Waterproof Rate: IP66
- \* Housing: Nylon+GF, Black.
- \* Male Pin: Copper Alloy, Gold Plated.
- \* Cable: UL2464 24AWG\*12C+D+AI/Wy PVC Jacket UV Resistant, OD=7.0, Black.
- \* Cable Length Tolerance: 01M: 40mm
- 02M~05M: ±60mm
- 06M~10M: ±100mm
- 11M~30M: ±200mm
- 31M~99M: ±500mm

UNIT:mm		
TOLERANCE	±0.5	

TITLE MIDDLE CABLE SCREW 12P M CONN M PIN			
SCALE 1:1	SIZE A4	SHEET 1 OF 1	
REV. A	WC-REV. A.1	$\varnothing$ : Inspection item	

**Amphenol LTW**  
安費諾亮泰企業股份有限公司

ITEM NO	DRAWN BY Di_lu	DATE 2013-11-30
DWG NO ICD-12BMMM-SL6AXX	CHECKED BY Mafei	DATE 2013-11-30
CUSTOMER ALTW	APPROVED BY Jerry	DATE 2013-11-30

THIS DOCUMENT IS SUBJECT TO CHANGE WITHOUT NOTICE. IT IS CONFIDENTIAL AND A PROPERTY OF Amphenol LTW. DISCLOSURE TO THIRD PARTY HAS TO BE AUTHORIZED BY Amphenol LTW.