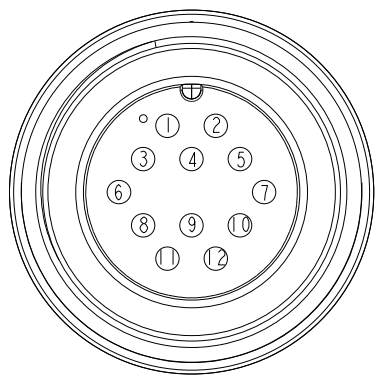
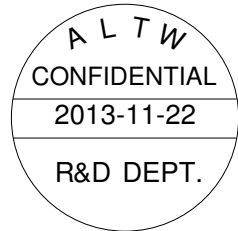
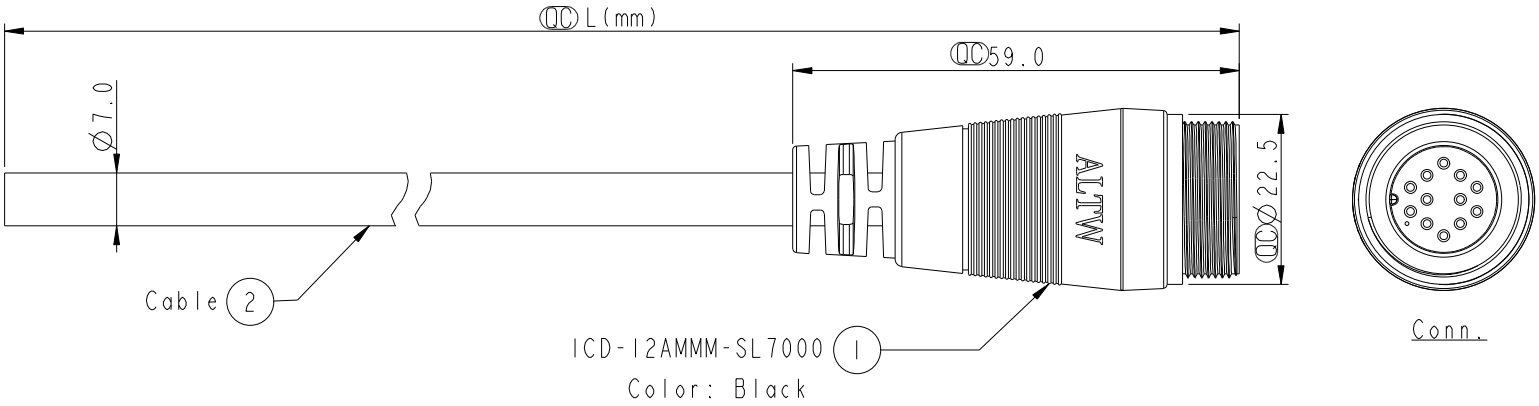


| | | | | |
|------|---------|------|------|-------------|
| REV. | ECN NO. | DATE | SIGN | DESCRIPTION |
| | | | | |



Pin Assignments
Front View

| | | |
|---------|-------------|----|
| 12 | Light Green | 淺綠 |
| 11 | Purple | 紫 |
| 10 | Orange | 橙 |
| 9 | Black | 黑 |
| 8 | Red | 紅 |
| 7 | Pink | 粉紅 |
| 6 | Gray | 灰 |
| 5 | Yellow | 黃 |
| 4 | Green | 綠 |
| 3 | White | 白 |
| 2 | Blue | 藍 |
| 1 | Brown | 棕 |
| Conn. | Wire Color | |
| Pin Out | | |

ICD-12AMMM-SL7AXX

- ↑
- XX : 01~99Meters
- 01 : 01Meter
- 02 : 02Meters
- :
- :
- 99 : 99Meters

Cable Length(L): 01~99Meters

- Note:
- * \varnothing Important Dimension To Check.
 - * Waterproof Rate: IP67
 - * Housing: Nylon+GF, Black.
 - * Male Pin: Copper Alloy, Gold Plated.
 - * Cable: UL2464 24AWG*12C+D+Al/Wy PVC Jacket UV Resistant, OD=7.0, Black.
 - * Cable Length Tolerance:
 - 01M~40mm
 - 02M~05M: ±60mm
 - 06M~10M: ±100mm
 - 11M~30M: ±200mm
 - 31M~99M: ±500mm

UNIT:mm
TOLERANCE ±0.5

| | | | |
|---|----------------|---------------------------------|--|
| TITLE MIDDLE CABLE SCREW 12P M CONN M PIN | | | |
| SCALE 1:1 | SIZE A4 | SHEET 1 OF 1 | |
| REV. A | WC-REV. A.2 | \varnothing : Inspection item | |

Amphenol LTW
安費諾亮泰企業股份有限公司

| | | |
|-----------------------------|-----------------------|--------------------|
| ITEM NO | DRAWN BY Di_lu | DATE 2013-11-22 |
| DWG NO ICD-12AMMM-SL7AXX | CHECKED BY Victor | DATE 2013-11-22 |
| CUSTOMER ALTW | APPROVED BY Maslow | DATE 2013-11-22 |

THIS DOCUMENT IS SUBJECT TO CHANGE WITHOUT NOTICE. IT IS CONFIDENTIAL AND A PROPERTY OF Amphenol LTW. DISCLOSURE TO THIRD PARTY HAS TO BE AUTHORIZED BY Amphenol LTW.