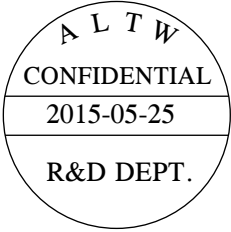
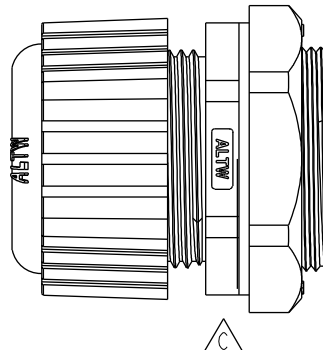
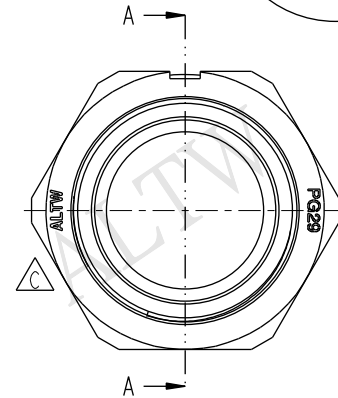
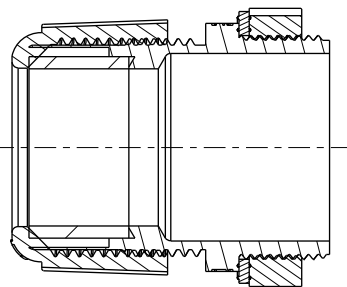
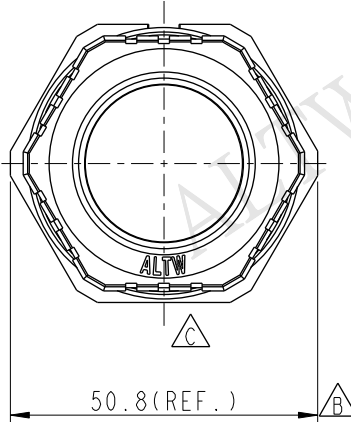
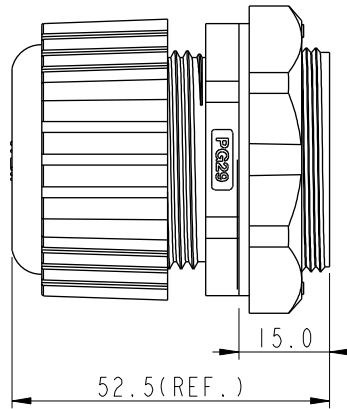
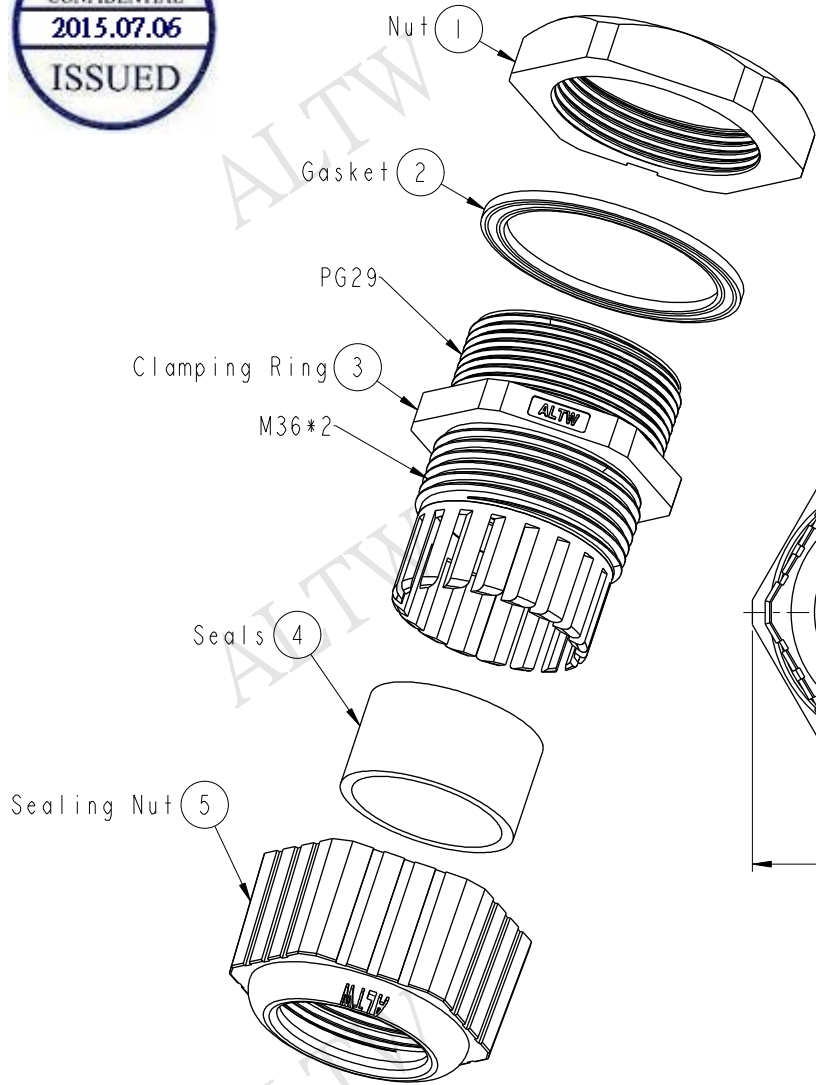


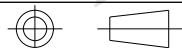


REV.	ECN NO.	DATE	SIGN	DESCRIPTION
B	LEN1370117	2013/07/04	Sam	Change Dimension
C	LEN1560401	2015/05/25	Ruru	Change Logo



- Note:
- \* Waterproof Rate: IP68
  - \* Screw Nut: Nylon, Black
  - \* Clamp Ring: Nylon, Black
  - \* Sealing Nut: Nylon, Black
  - \* Gasket: EPDM, Black
  - \* Seals: EPDM, Black
  - \* Cable Range:  $\varnothing 18$ - $\varnothing 25$ mm
  - \* For Panel Thickness: 6.0mm max
  - \* Spanner Size:  
 Body: 41.0mm  
 Sealing Nut: 42.2mm  
 Screw Nut: 46.0mm

UNIT: mm



TOLERANCE	
.X	$\pm 0.25$
.XX	$\pm 0.1$
.XXX	$\pm 0.05$
ANGLES	$\pm 1^\circ$

TITLE Cable Gland Assembly (PG29)			
SCALE 4:5	SIZE A4	SHEET 1 OF 1	
REV. C	WC-REV. A.2	QC: Inspection item	

**Amphenol LTW**  
安費諾亮泰企業股份有限公司

ITEM NO CSG-29G003	DRAWN BY Ruru	DATE 2015-05-25
DWG NO CSG-29G003	CHECKED BY Rita	DATE 2015-05-25
CUSTOMER ALTW	APPROVED BY Lion	DATE 2015-05-25

THIS DOCUMENT IS SUBJECT TO CHANGE WITHOUT NOTICE. IT IS CONFIDENTIAL AND A PROPERTY OF Amphenol LTW. DISCLOSURE TO THIRD PARTY HAS TO BE AUTHORIZED BY Amphenol LTW.