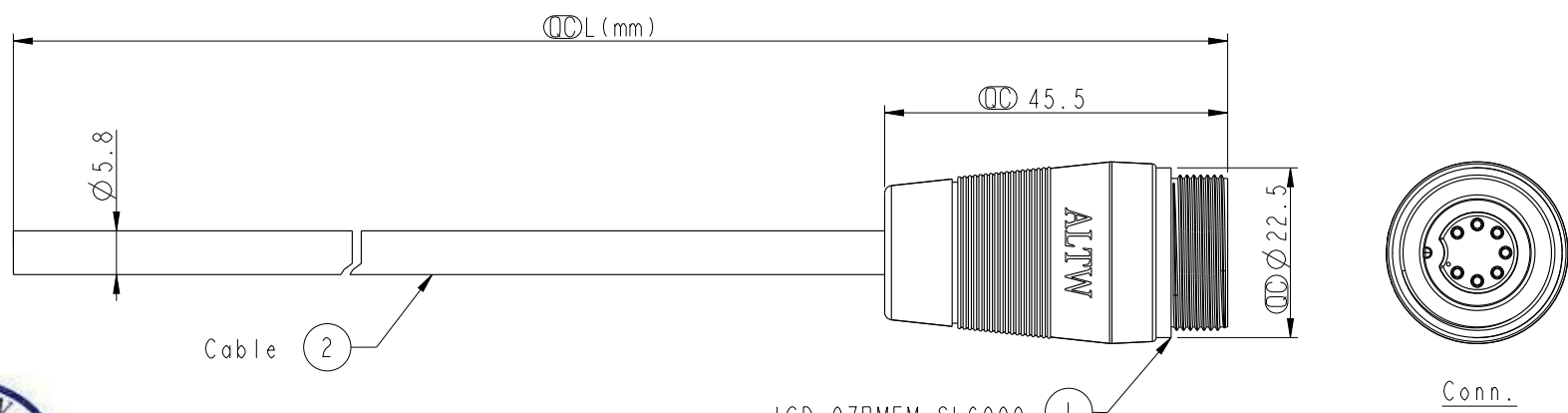
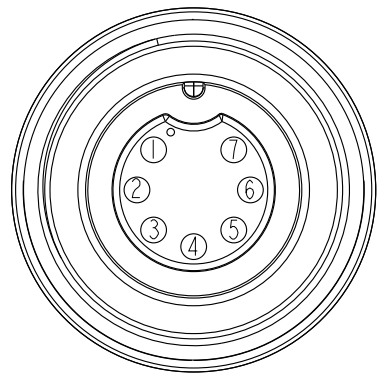
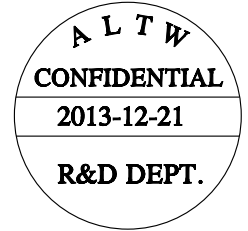


REV.	ECN NO.	DATE	SIGN	DESCRIPTION



ICD-07BMFM-SL6000  
Color: Black



Pin Assignments  
Front View

7	White	白
6	Green	綠
5	Brown	棕
4	Red	紅
3	Yellow	黃
2	Orange	橙
1	Blue	藍
Conn.	Wire Color	
Pin Out		

ICD-07BMFM-SL6AXX

XX :01~99Meters  
01 :01Meter  
02 :02Meters  
:  
:  
99 :99Meters

Cable Length(L):01~99Meters

- Note:
- \*  $\varnothing$  Important Dimension To Check.
  - \* Waterproof Rate: IP66
  - \* Housing: Nylon+GF, Black.
  - \* Female Pin: Copper Alloy, Gold Plated.
  - \* Cable: UL2464 24AWG\*7C+D+AL/Wy PVC Jacket UV Resistant, OD=5.8, Black.
  - \* Cable Length Tolerance: 01M:40mm  
02M~05M:±60mm  
06M~10M:±100mm  
11M~30M:±200mm  
31M~99M:±500mm

UNIT:mm		
TOLERANCE	±0.5	

TITLE MIDDLE CNC PIN CABLE SCREW 7P M CONN F PIN			
SCALE 1:1	SIZE A4	SHEET 1 OF 1	
REV. A	WC-REV. A.1	$\varnothing$ : Inspection item	

**Amphenol LTW**  
安費諾亮泰企業股份有限公司

ITEM NO	DRAWN BY Tom_gu	DATE 2013-12-21
DWG NO ICD-07BMFM-SL6AXX	CHECKED BY Rensong	DATE 2013-12-21
CUSTOMER ALTW	APPROVED BY Victor	DATE 2013-12-21

THIS DOCUMENT IS SUBJECT TO CHANGE WITHOUT NOTICE. IT IS CONFIDENTIAL AND A PROPERTY OF Amphenol LTW. DISCLOSURE TO THIRD PARTY HAS TO BE AUTHORIZED BY Amphenol LTW.