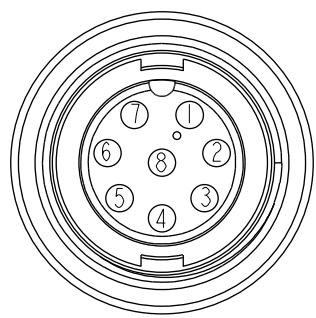
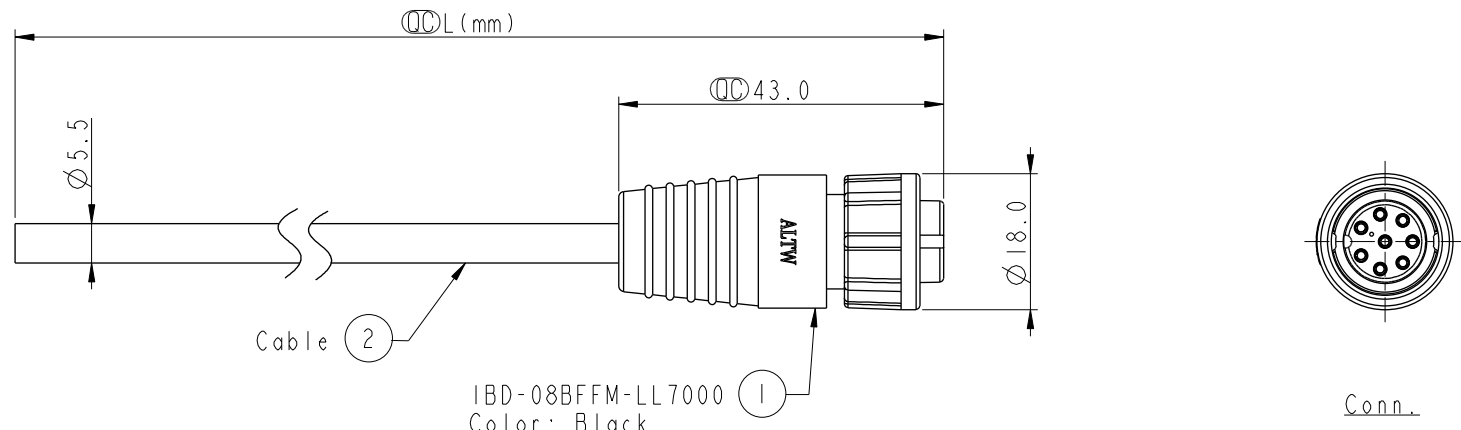


REV.	ECN NO.	DATE	SIGN	DESCRIPTION



Pin Assignments
Front View

8	Green	綠
7	Yellow	黃
6	Orange	橙
5	Red	紅
4	Blue	藍
3	White	白
2	Brown	棕
1	Black	黑
Conn.	Wire Color	Pin Out

IBD-08BFFM-LL7AXX
 XX : 01~99Meters
 01 : 01Meter
 02 : 02Meters
 :
 :
 :
 99 : 99Meters
 Cable Length(L): 01~99Meters

- Note:
- * ϕ Important Dimension To Check
 - * Waterproof Rate: IP67
 - * Housing: Nylon+GF, Black
 - * Female Pin: Copper Alloy, Gold Plated
 - * Lock Nut: Nylon+GF, Black
 - * O-Ring: Silicon, Gray
 - * Cable: UL2464 24AWG*8C+D+AL/My
PVC Jacket UV Resistant, OD=5.5, Black
 - * Cable Length Tolerance: 01M: ± 40 mm
02M~05M: ± 60 mm
06M~10M: ± 100 mm
11M~30M: ± 200 mm
31M~99M: ± 500 mm

UNIT:mm	
TOLERANCE	± 0.5 mm

TITLE STANDARD CNC PIN CABLE LOCK 8PIN F CONN F PIN			
SCALE 1:1	SIZE A4	SHEET 1 OF 1	
REV. A	WC-REV. A.1	ϕ : Inspection item	

Amphenol LTW
安費諾亮泰企業股份有限公司

ITEM NO	DRAWN BY Ruru	DATE 2014-01-08
DWG NO IBD-08BFFM-LL7AXX	CHECKED BY Tony	DATE 2014-01-08
CUSTOMER ALTW	APPROVED BY Victor	DATE 2014-01-08

THIS DOCUMENT IS SUBJECT TO CHANGE WITHOUT NOTICE. IT IS CONFIDENTIAL AND A PROPERTY OF Amphenol LTW. DISCLOSURE TO THIRD PARTY HAS TO BE AUTHORIZED BY Amphenol LTW.