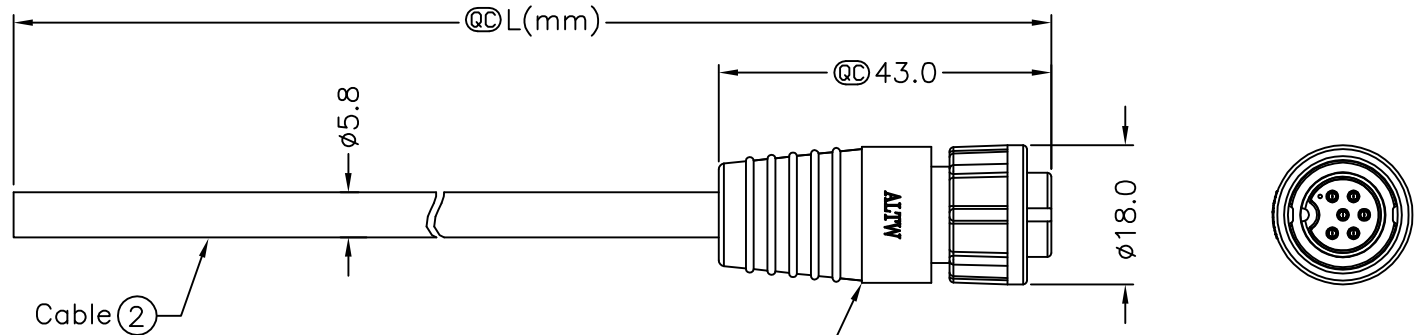


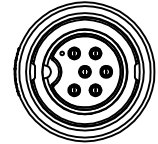
5	6	7	8
REV.	ECN NO.	DATE	SIGN
			DESCRIPTION

THIS DOCUMENT IS SUBJECT TO CHANGE WITHOUT NOTICE. IT IS CONFIDENTIAL AND A PROPERTY OF Amphenol LTW. DISCLOSURE TO THIRD PARTY HAS TO BE AUTHORIZED BY Amphenol LTW.



Cable ②

1BD-06BFMM-LL7000 ①
Color: Black



Conn.

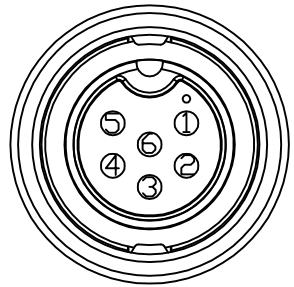


1BD-06BFMM-LL7AXX

XX :01~99Meters
01 :01Meter
02 :02Meters
:
:
99 :99Meters

Cable Length(L):01~99Meters

- Note :
- * ② Important Dimension To Check.
 - * Waterproof Rate: IP67
 - * Housing: Nylon+GF, Black.
 - * Male Pin: Copper Alloy, Gold Plated.
 - * Cable: UL2464 24AWG*6C+D+AL/Wy
PVC Jacket UV Resistant, OD=5.8, Black.
 - * Cable Length Tolerance: 01M: ±40mm
02M~05M: ±60mm
06M~10M: ±100mm
11M~30M: ±200mm
31M~99M: ±500mm



Pin Assignments Front View

6	White	白
5	Red	紅
4	Orange	橙
3	Yellow	黃
2	Green	綠
1	Blue	藍
Conn.	Wire Color	
Pin Out		

UNIT:mm	
TOLERANCE	±0.5 mm

TITLE		STANDARD CNC PIN	
CABLE LOCK 6INP F CONN M PIN			
SCALE	Free	SHEET	1 OF 1
REV.	A	SIZE	A4
		② :Inspection Item	

Amphenol LTW
安費諾亮泰企業股份有限公司

ITEM NO	
DWG NO	1BD-06BFMM-LL7AXX
CUSTOMER	ALTW

DRAWN BY	Ruru
CHECKED BY	Tony
APPROVED BY	Victor

DATE	2013/11/28
DATE	2013/11/28
DATE	2013/11/28

A B C D E F

1 2 3 4 5 6 7 8