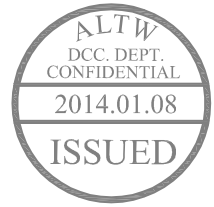
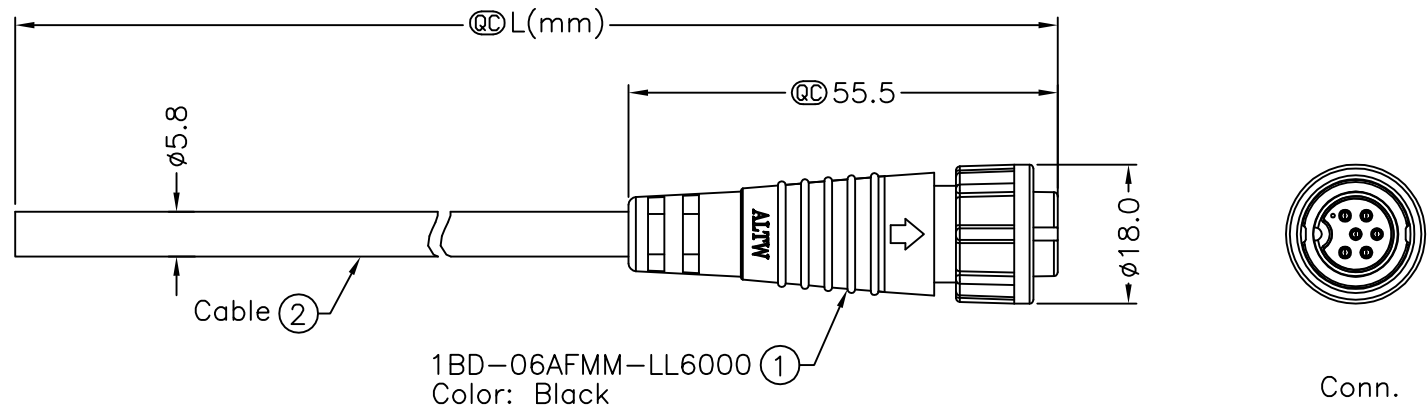


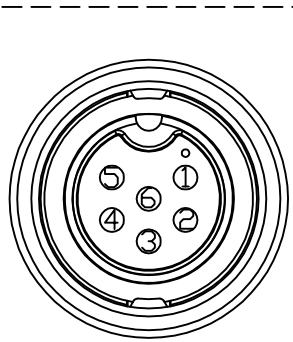
5	6	7	8
REV.	ECN NO.	DATE	SIGN
			DESCRIPTION

THIS DOCUMENT IS SUBJECT TO CHANGE WITHOUT NOTICE. IT IS CONFIDENTIAL AND A PROPERTY OF Amphenol LTW. DISCLOSURE TO THIRD PARTY HAS TO BE AUTHORIZED BY Amphenol LTW.



1BD-06AFMM-LL6AXX  
 ↑  
 XX :01~99Meters  
 01 :01Meter  
 02 :02Meters  
 :  
 :  
 :  
 99 :99Meters  
 Cable Length(L):01~99Meters

- Note :
- \* @Q Important Dimension To Check.
  - \* Waterproof Rate: IP66
  - \* Housing: Nylon+GF, Black.
  - \* Male Pin: Copper Alloy, Gold Plated.
  - \* Cable: UL2464 24AWG\*6C+D+AL/Wy  
PVC Jacket UV Resistant, OD=5.8, Black.
  - \* Cable Length Tolerance: 01M: ±40mm  
02M~05M: ±60mm  
06M~10M: ±100mm  
11M~30M: ±200mm  
31M~99M: ±500mm



Pin Assignments  
Front View

6	White	白
5	Red	紅
4	Orange	橙
3	Yellow	黃
2	Green	綠
1	Blue	藍
Conn.	Wire Color	

Pin Out

UNIT:mm	
TOLERANCE	±0.5 mm

TITLE		STANDARD CNC PIN	
CABLE LOCK 6PIN F CONN M PIN			
SCALE	Free	SHEET	1 OF 1
REV.	A	SIZE	A4
		@QC :Inspection Item	

**Amphenol LTW**  
 安費諾亮泰企業股份有限公司

ITEM NO	DRAWN BY	DATE
	Ruru	2013/11/28
DWG NO	CHECKED BY	DATE
1BD-06AFMM-LL6AXX	Tony	2013/11/28
CUSTOMER	APPROVED BY	DATE
ALTW	Victor	2013/11/28

1  
F  
E  
D  
C  
B  
A

2  
3

4  
5

6  
7

8  
8 FMW10702-01-01A2