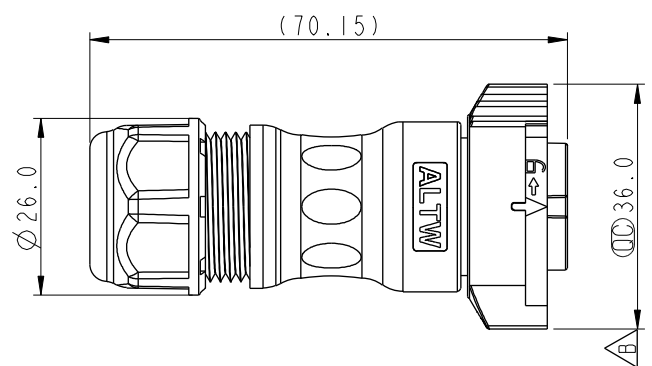
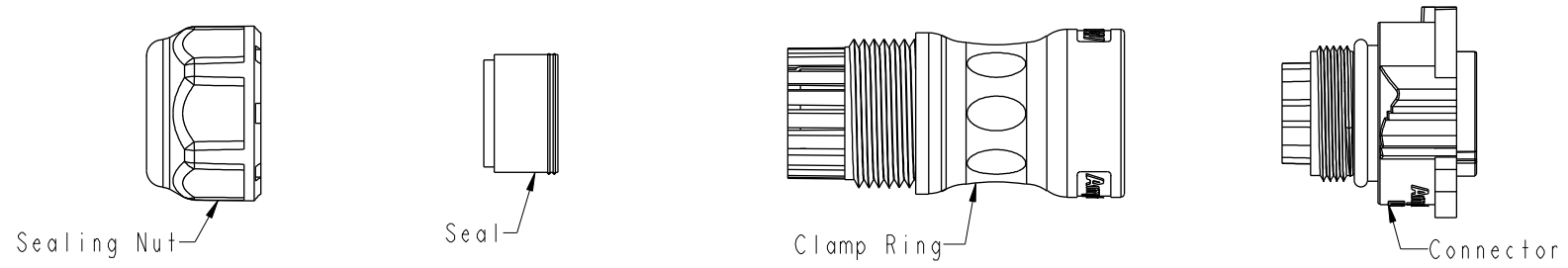


THIS DOCUMENT IS SUBJECT TO CHANGE WITHOUT NOTICE. IT IS CONFIDENTIAL AND A PROPERTY OF Amphenol LTW. DISCLOSURE TO THIRD PARTY HAS TO BE AUTHORIZED BY Amphenol LTW.

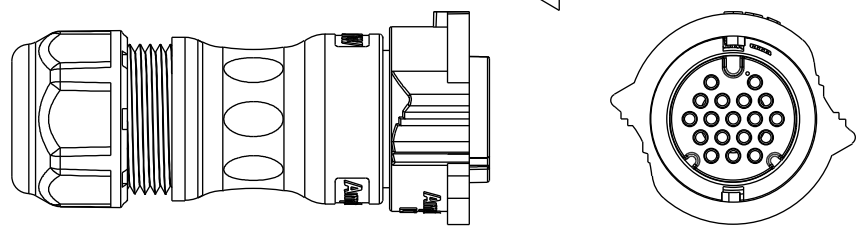
REV.	ECN NO.	DATE	SIGN	DESCRIPTION
B	E191899	2019/11/19	Ruru	△ X4



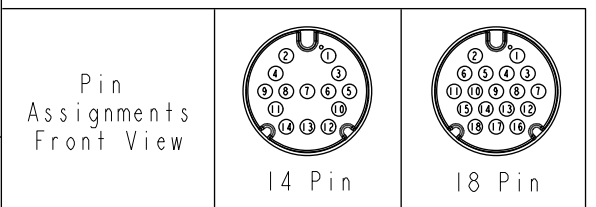
DD-XXBFFA-QL8XN0

14-14 Pin  
18-18 Pin

S: With Red Color Seal 1, Cable OD 6.0~8.0mm.  
M: With Yellow Color Seal 2, Cable OD 8.0~10.0mm.  
L: With Blue Color Seal 3, Cable OD 10.0~12.0mm.  
A: With Seal 1 & Seal 2 & Seal 3.



- △ Note:
- \* ⌀ Important Dimension
  - \* Waterproof Rate: IP68, Mated  
IP68 : IM Depth Of Water In 24hours
  - \* Housing: Thermoplastic, Black
  - \* Clamp Ring: Thermoplastic, Black
  - \* Sealing Nut: Thermoplastic, Black
  - \* Seals: Rubber



UNIT:mm		TITLE	XLOK, D-5A, CABLE W/O SR F, F, FI CRIMP, XLOK △	
TOLERANCE	± 0.5 mm	SCALE	1:1	SIZE A4
REV.	B	WC-REV.	.0	SHEET 1 OF 1
		⌀: Inspection item		

**Amphenol LTW**  
安費諾亮泰企業股份有限公司

ITEM NO	DRWN BY	DATE
	Ruru	2019-11-19
DWG NO	CHEKED BY	DATE
DD-XXBFFA-QL8XN0 △	Rita	2019-11-19
CUSTOMER	APPROVED BY	DATE
ALTW	Max	2019-11-19