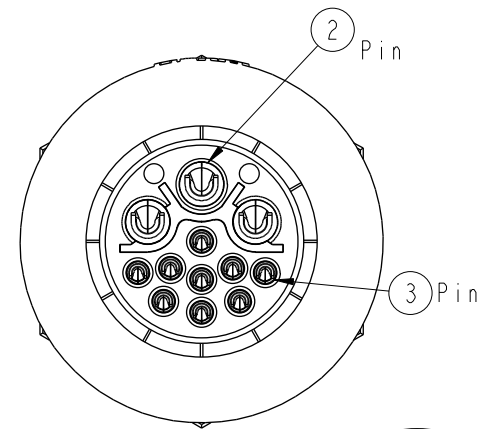
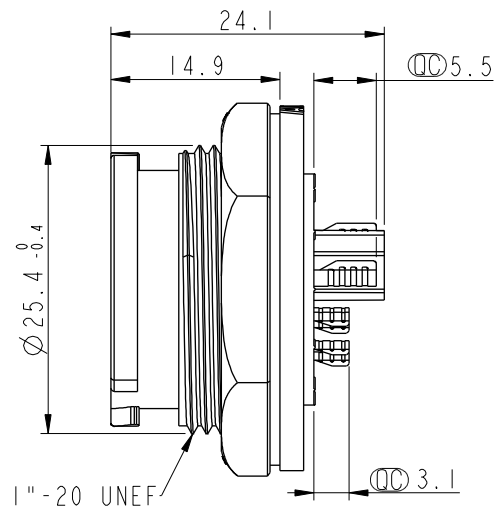
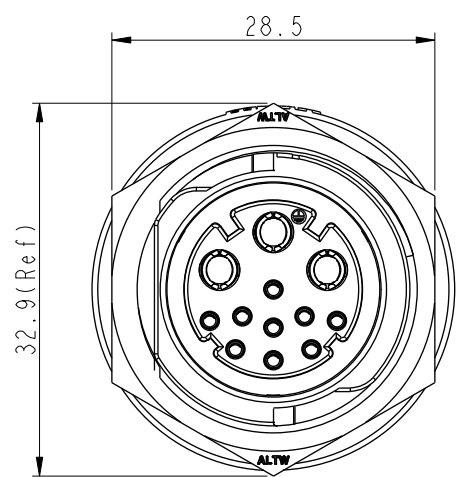
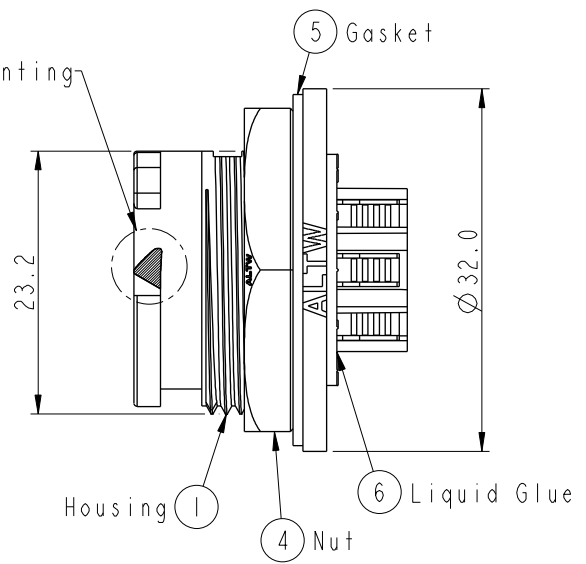
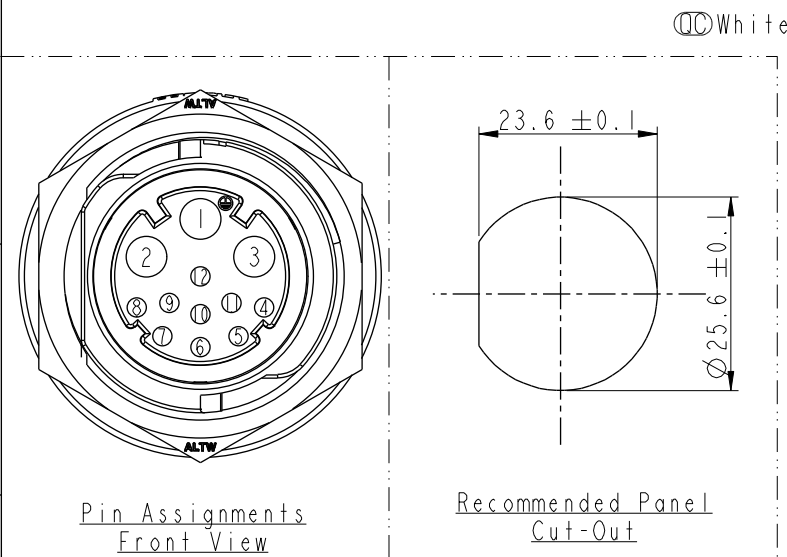


THIS DOCUMENT IS SUBJECT TO CHANGE WITHOUT NOTICE. IT IS CONFIDENTIAL AND A PROPERTY OF AMPHENOL LTW. DISCLOSURE TO THIRD PARTY HAS TO BE AUTHORIZED BY AMPHENOL LTW.

| REV. | ECN NO. | DATE | SIGN | DESCRIPTION |
|------|-----------------|------------|--------|------------------------|
| A | Initial Release | 2016/04/25 | Spring | Change Rev.01 To Rev.A |
| B | CI90403 | 2019/03/12 | Vicky | Change Note |



ALTW
CONFIDENTIAL
2019-03-12
R&D DEPT.



- Note:**
- * (C) Important Dimension To Check.
 - * Waterproof Rate: IP68, Unmated. In 1 meter water within 24 hours
 - * Housing: Thermoplastic, Black.
 - * Pin: Copper Alloy, Gold Plated.
 - * Nut: Thermoplastic, Black.
 - * Gasket: Rubber, Gray.
 - * Use without waterproof cap
Panel Thickness Max: 3.6mm
 - * Use with waterproof cap
Panel Thickness Max: 2.6mm
 - * Gasket and Nut are packed separately in PE bags.

| | | | |
|------------|--|---|-----------|
| UNIT:mm | | TITLE X-Lok D Size Hybrid Receptacle 12 Pin M Connector F Pin | |
| TOLERANCE | | SCALE | SHEET OF |
| .X ±0.25 | | 3:2 | A4 1 OF 1 |
| .XX ±0.1 | | REV. | WC-REV. |
| .XXX ±0.05 | | B | A.2 |
| ANGLES ±1° | | (C) Inspection item | |

Amphenol LTW
安費諾亮泰企業股份有限公司

| | | |
|-------------------------------|--------------------|--------------------|
| ITEM NO. DCD-12PMFS-QC8001 | DRAWN BY Vicky | DATE 2019-03-12 |
| DWG NO. DCD-12PMFS-QC8001 | CHECKED BY Rita | DATE 2019-03-12 |
| CUSTOMER ALTW | APPROVED BY Max | DATE 2019-03-12 |