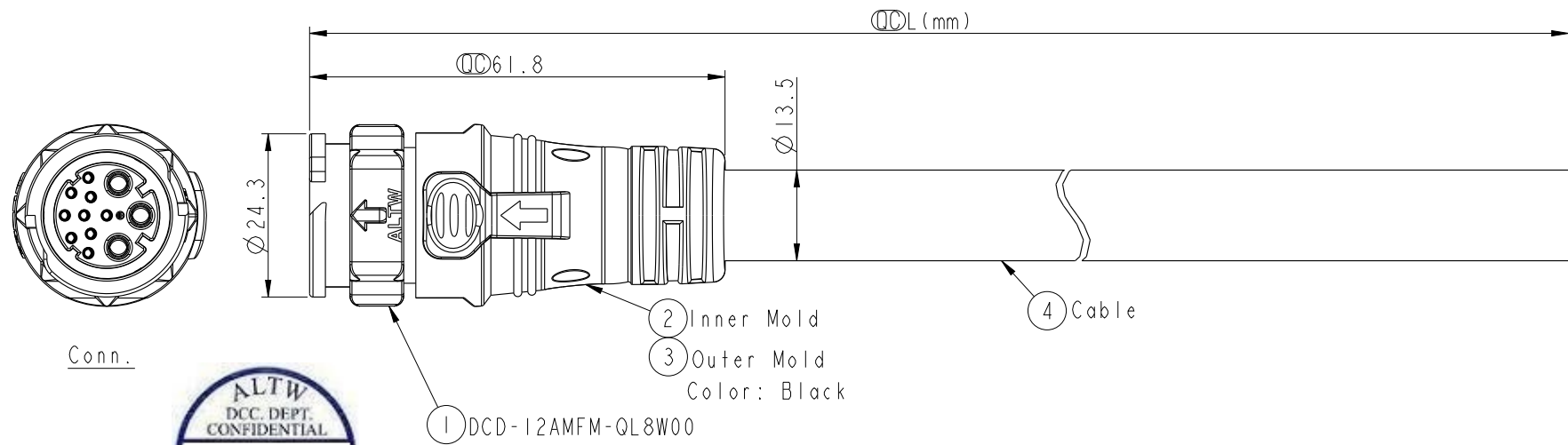


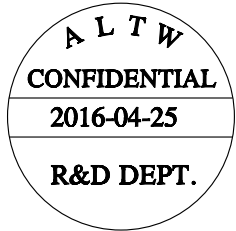
THIS DOCUMENT IS SUBJECT TO CHANGE WITHOUT NOTICE. IT IS CONFIDENTIAL AND A PROPERTY OF Amphenol LTW. DISCLOSURE TO THIRD PARTY HAS TO BE AUTHORIZED BY Amphenol LTW.

REV.	ECN NO.	DATE	SIGN	DESCRIPTION
A	Initial Release	2016-04-25	Spring	Change Rev.01 To Rev.A

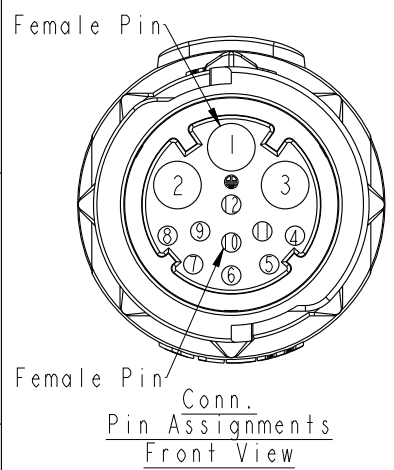


Note:

- * \varnothing Important Dimension To Check.
- * Waterproof Rate: IP68(Mated, 1M/24hr)
- * Working Voltage Rating:
Power AC/DC 300V
Data DC 30V
- * Working Current:
Power: 20A
Data: 05A
- * Housing: Nylon+GF, Black
- * Female Pin: Copper Alloy, Gold & Ni Plated
- * Cable: UL21996 3C*12AWG+(26#*4P+D+AL)+F+AL/MY, PVC Jacket, OD=13.5, Black.
- * Cable Length Tolerance: 01M:±40mm
02M~05M:±60mm
06M~10M:±100mm
11M~30M:±200mm
31M~99M:±500mm



DCD-12AMFM-QL8FXX
 XX : 01~99Meters
 01 : 01Meter
 02 : 02Meters
 :
 :
 99 : 99Meters
 Cable Length(L): 01~99Meters



12	Drain	(26AWG)	地線	
11	Gray	(26AWG)	灰	Twist 對線
10	Yellow	(26AWG)	黃	
9	Orange	(26AWG)	橘	Twist 對線
8	Violet	(26AWG)	紫	
7	Blue	(26AWG)	藍	Twist 對線
6	Red	(26AWG)	紅	
5	Green	(26AWG)	綠	Twist 對線
4	White	(26AWG)	白	
3	Black	(12AWG)	黑	
2	White	(12AWG)	白	
1	Green	(12AWG)	綠	
Conn.	Wire Color			
Pin Out				

UNIT:mm		TITLE	X-Lok D Size Cable Molding 12 Pin M Connector F Pin	
TOLERANCE	±0.5	SCALE	1:1	SIZE A4
		REV.	A	WC-REV. A.2
				\varnothing : Inspection item

Amphenol LTW
 安費諾亮泰企業股份有限公司

ITEM NO	DRAWN BY	DATE
	Spring	2016-04-25
DWG NO	CHECKED BY	DATE
DCD-12AMFM-QL8FXX	Fisher	2016-04-25
CUSTOMER	APPROVED BY	DATE
ALTW	Kevin	2016-04-25