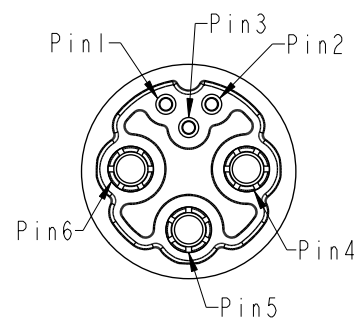
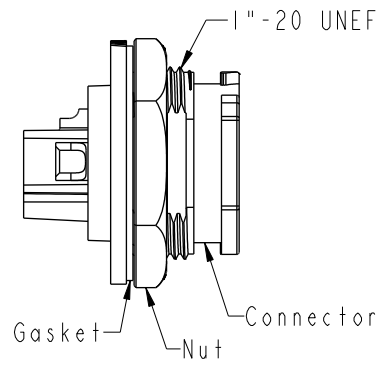
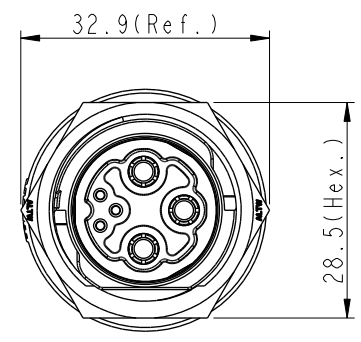
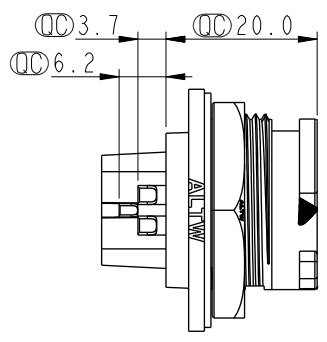
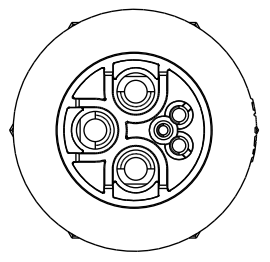


THIS DOCUMENT IS SUBJECT TO CHANGE WITHOUT NOTICE. IT IS CONFIDENTIAL AND A PROPERTY OF AMPHENOL LTW. DISCLOSURE TO THIRD PARTY HAS TO BE AUTHORIZED BY AMPHENOL LTW.

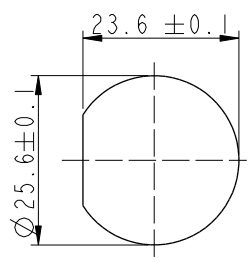
REV.	ECN NO.	DATE	SIGN	DESCRIPTION
A		2021/10/06	Ruru	Initial Released

DCD-XXPMFS-QC8001

XX: No. Of Pin



Pin Assignment
Front View



Recommended
Panel Cut-Out

- Note:
- * RoHS Compliant
 - * ⌀ Important dimension
 - * Waterproof rate: IPX8, unmated 1m/24h
 - * Connector
 - Housing: Thermoplastic, Black
 - Pin: Copper alloy, Gold plated
 - * Gasket: Rubber, Dark Gray
 - * Nut: Thermoplastic, Black
 - * Use With Waterproof Cap
 - For Panel Thickness Max: 2.6mm
 - * Use Without Waterproof Cap
 - For Panel Thickness Max: 3.6mm
 - * Gasket and nut are packed separately in pe bag

UNIT:mm TOLERANCE .X ±0.25 .XX ±0.1 .XXX ±0.05 ANGLES ±1°	TITLE XLOK, D-20A+5A, FRONT FASTENED M, F, SOLDER, PUSH LOCK		<h1 style="text-align: center;">Amphenol LTW</h1> <p style="text-align: center;">安費諾亮泰企業股份有限公司</p>		ITEM NO	DRAWN BY Ruru	DATE 2021-10-06
	SCALE 1:1	SIZE A4			SHEET 1 OF 1	DWG NO DCD-XXPMFS-QC8001	CHECKED BY Rita
	REV. A	WC-REV. A.4	⌀: Inspection item	CUSTOMER ALTW	APPROVED BY Max	DATE 2021-10-06	